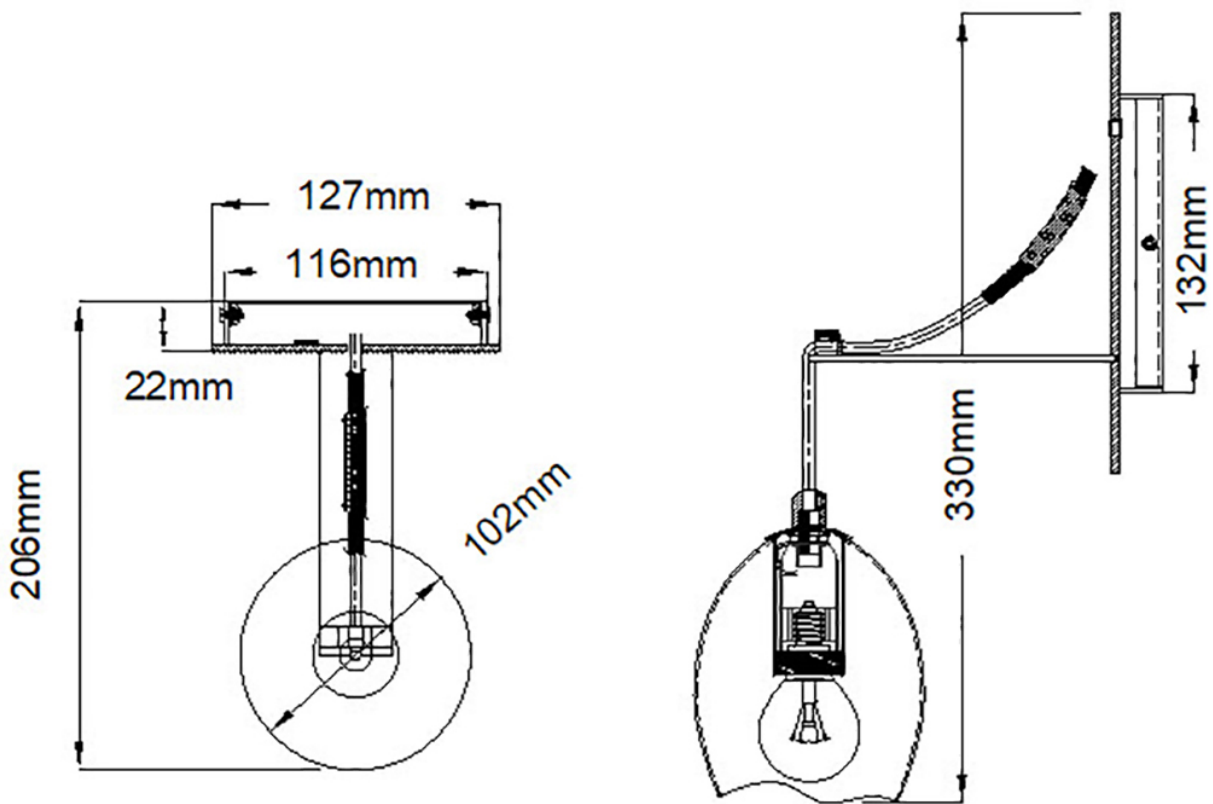


Quintiesse - QN-NULA1 - Nula 1 Light Wall Light



**CONTACT**