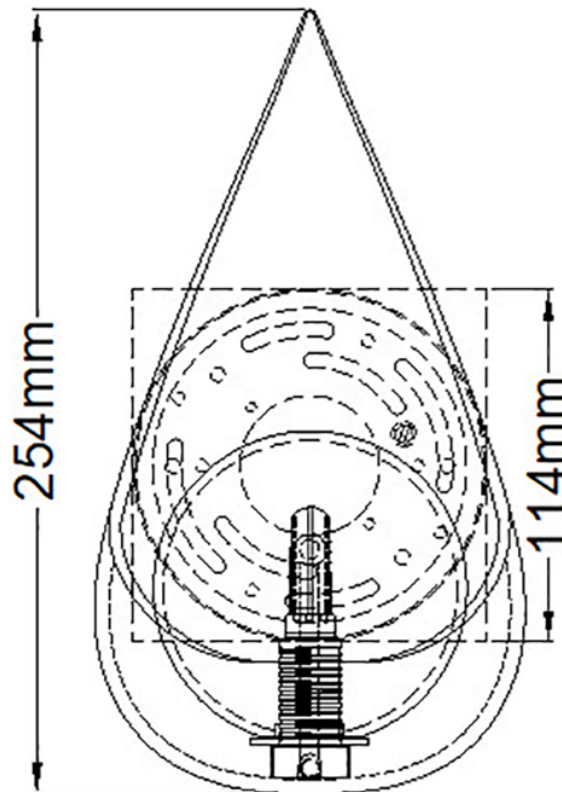
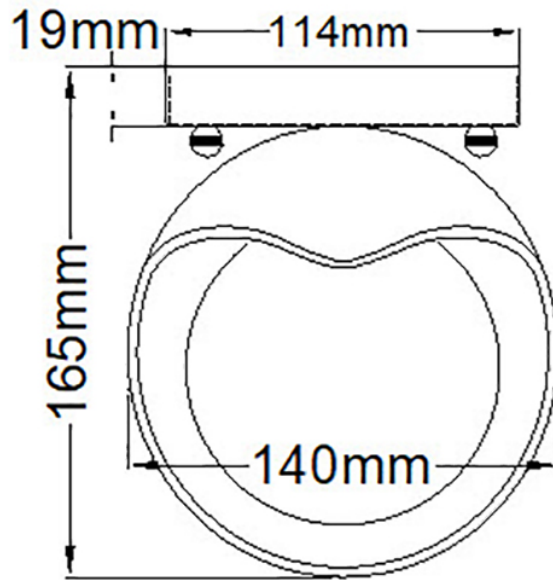


Quintiesse - QN-REN1 - Ren 1 Light Wall Light



CONTACT