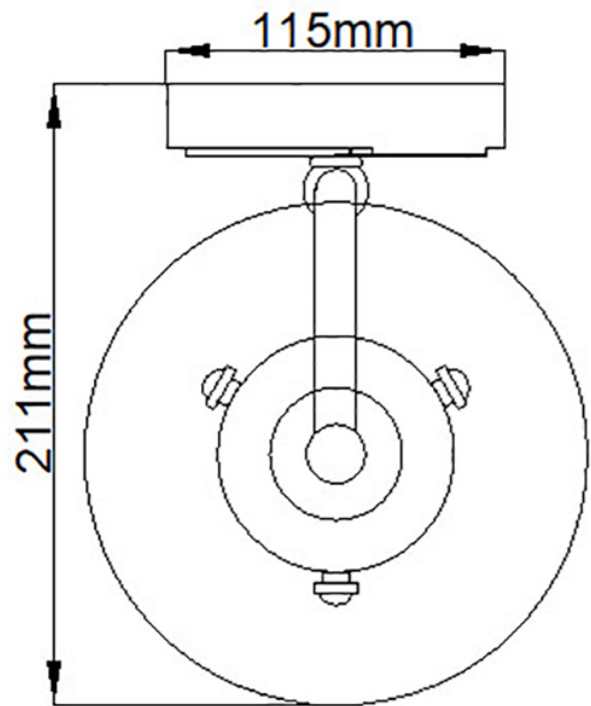
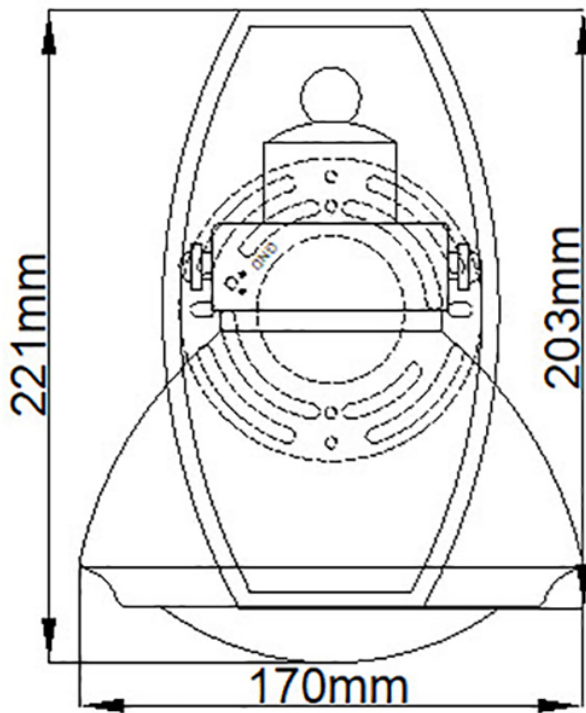


Quintiesse - QN-SCHOLAR1 - Scholar 1 Light Wall Light



CONTACT