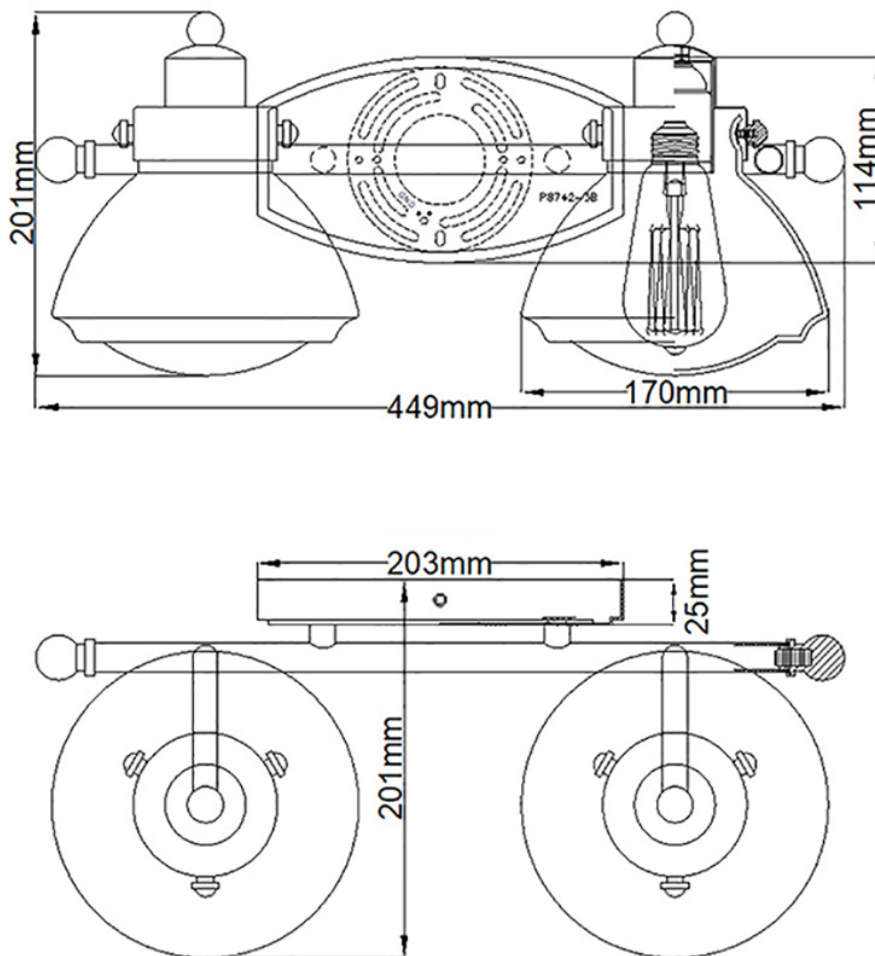


Quintiesse - QN-SCHOLAR2 - Scholar 2 Light Wall Light



**CONTACT**