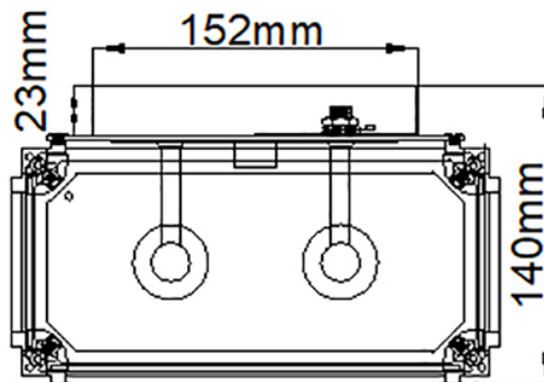
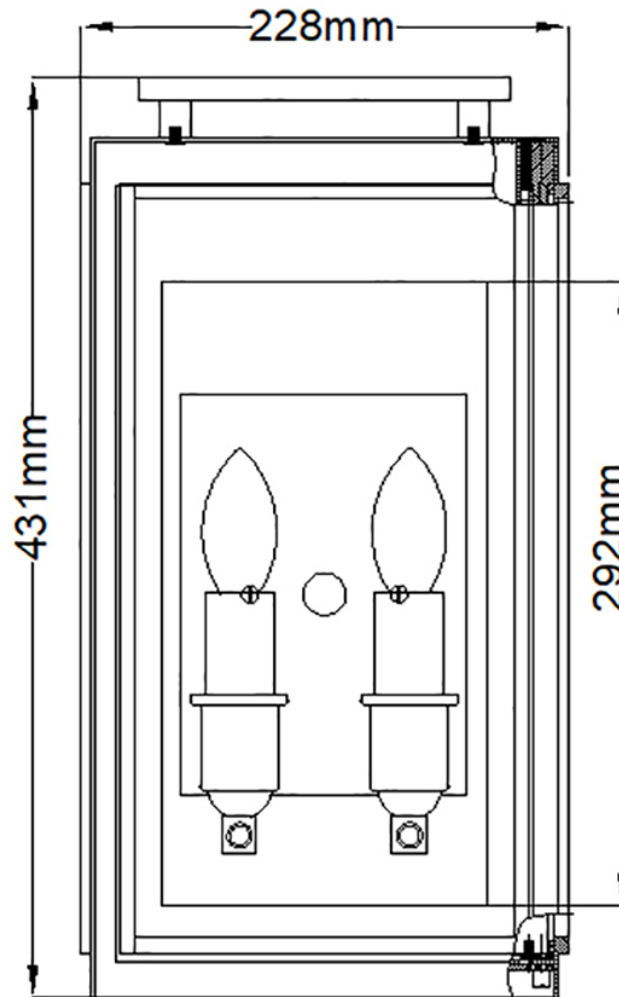


Quintiesse - QN-SUTCLIFFE-M-OZ - Sutcliffe 2 Light Wall Lantern - Oil Rubbed Bronze



**CONTACT**