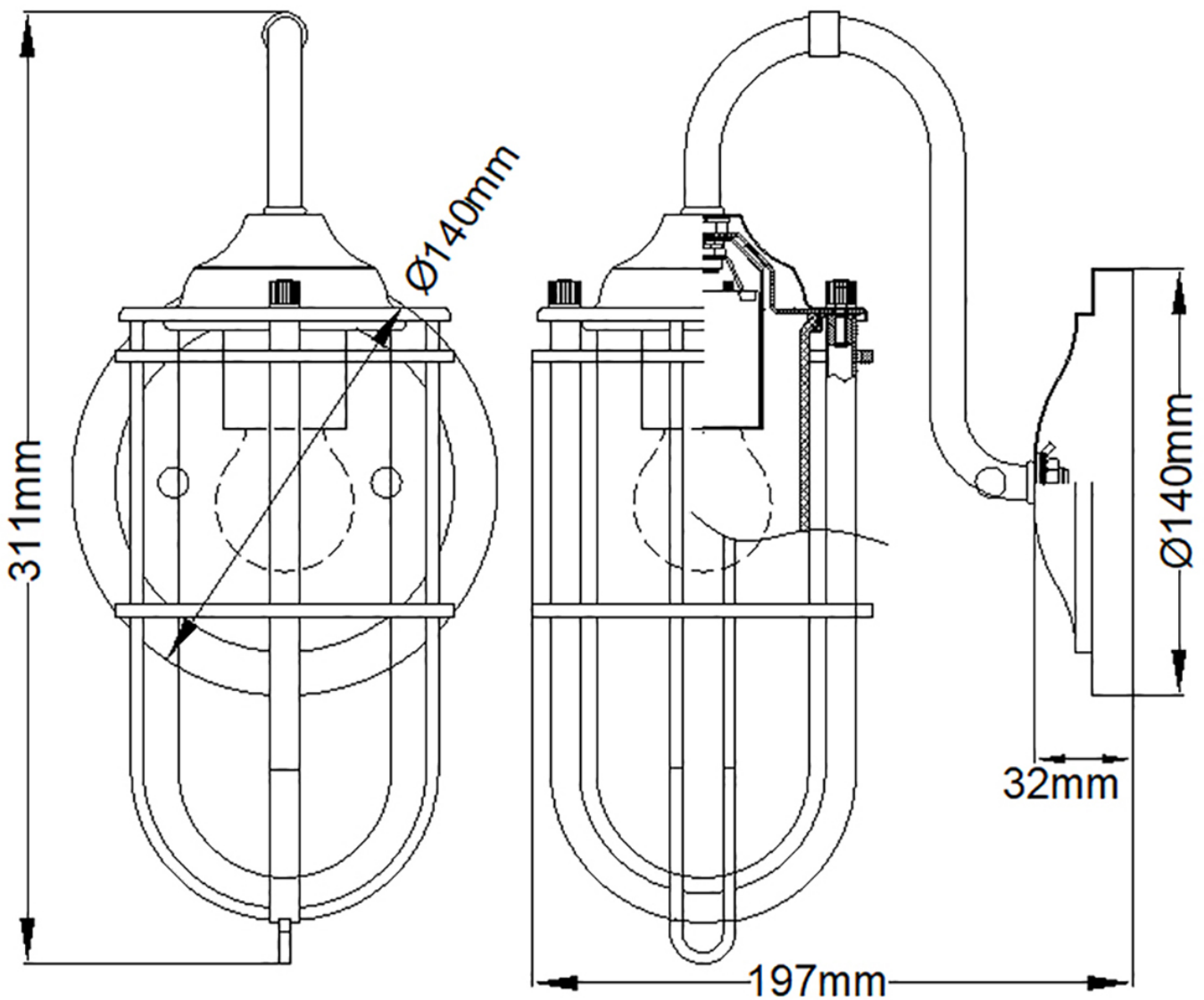


Quintiesse - QN-URBANREST1 - Urban Restoration 1 Light Wall Light



CONTACT