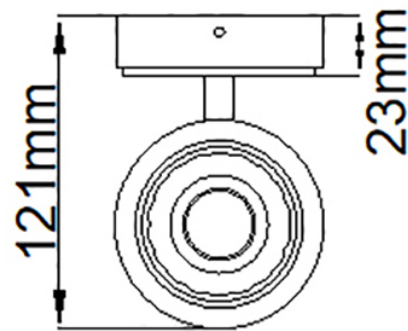
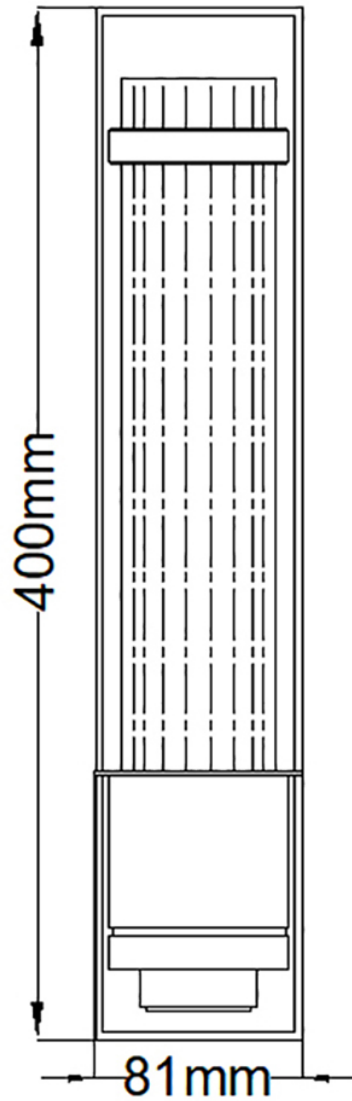


Quintiesse - QN-WELLINGTON1-AB - Wellington 1 Light Wall Light



CONTACT