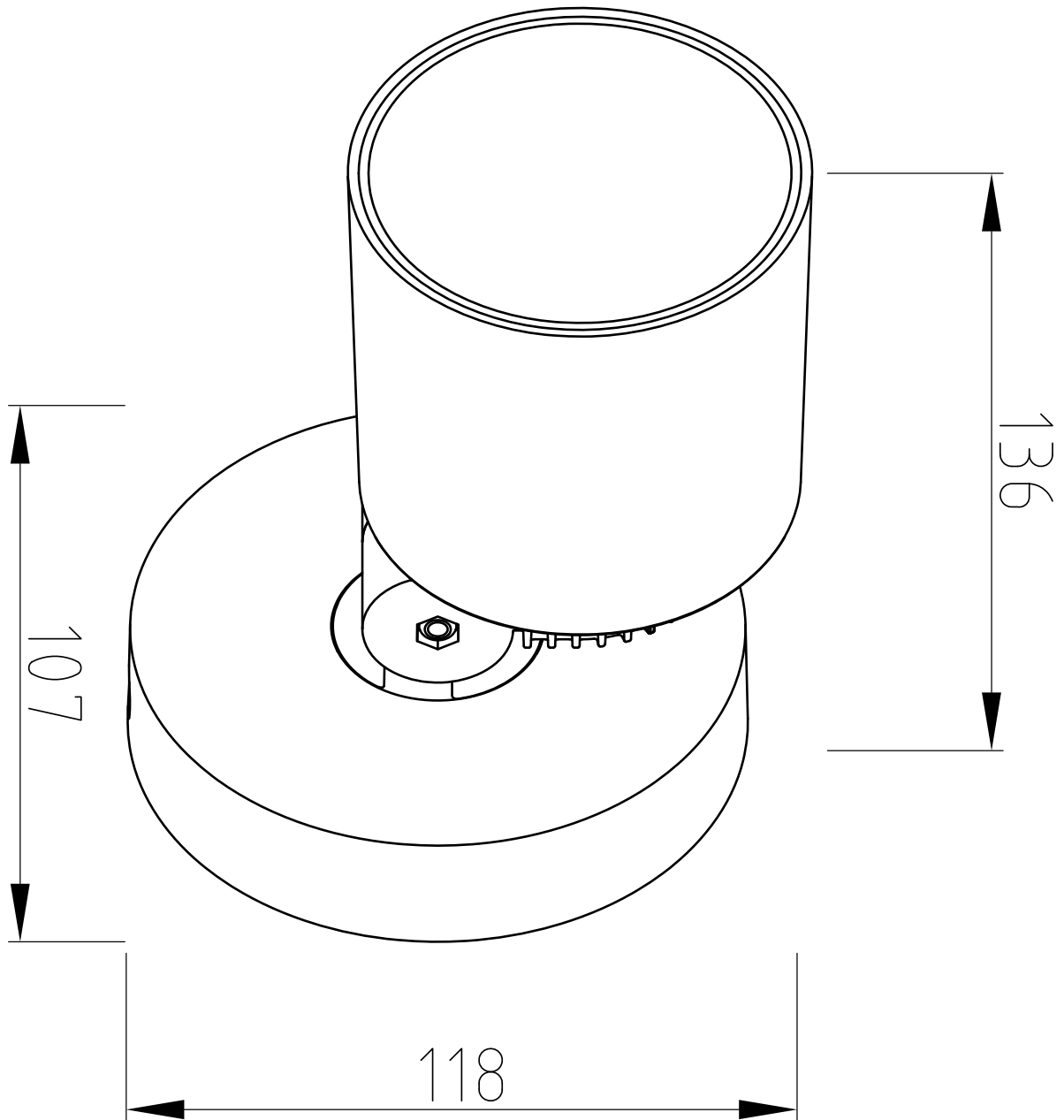


Lutec - Explorer - 6609202118 - LED Dark Grey Clear IP54 Outdoor Wall Spotlight



CONTACT