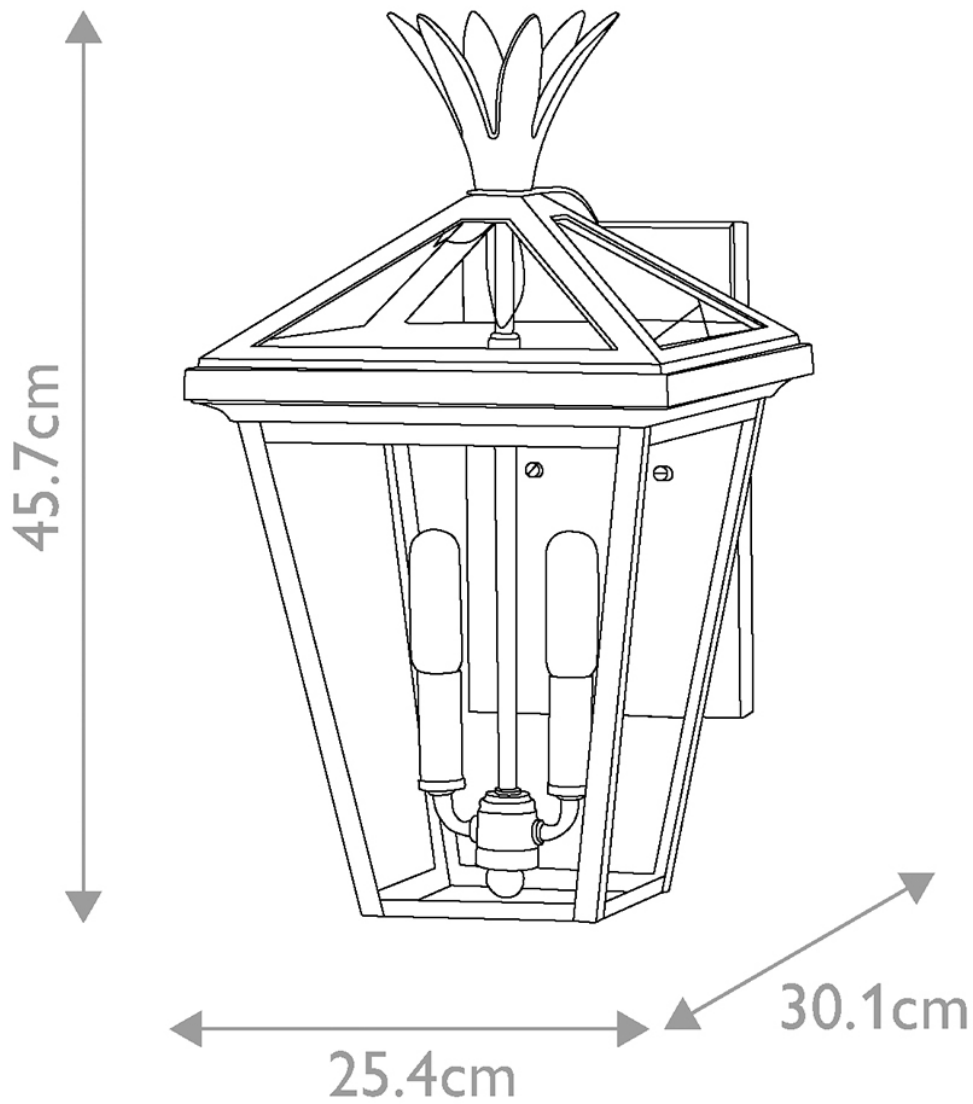


Hinkley Lighting - Palma - HK-PALMA-M-BK - Black Clear Glass 2 Light IP44 Outdoor Wall Light



**CONTACT**