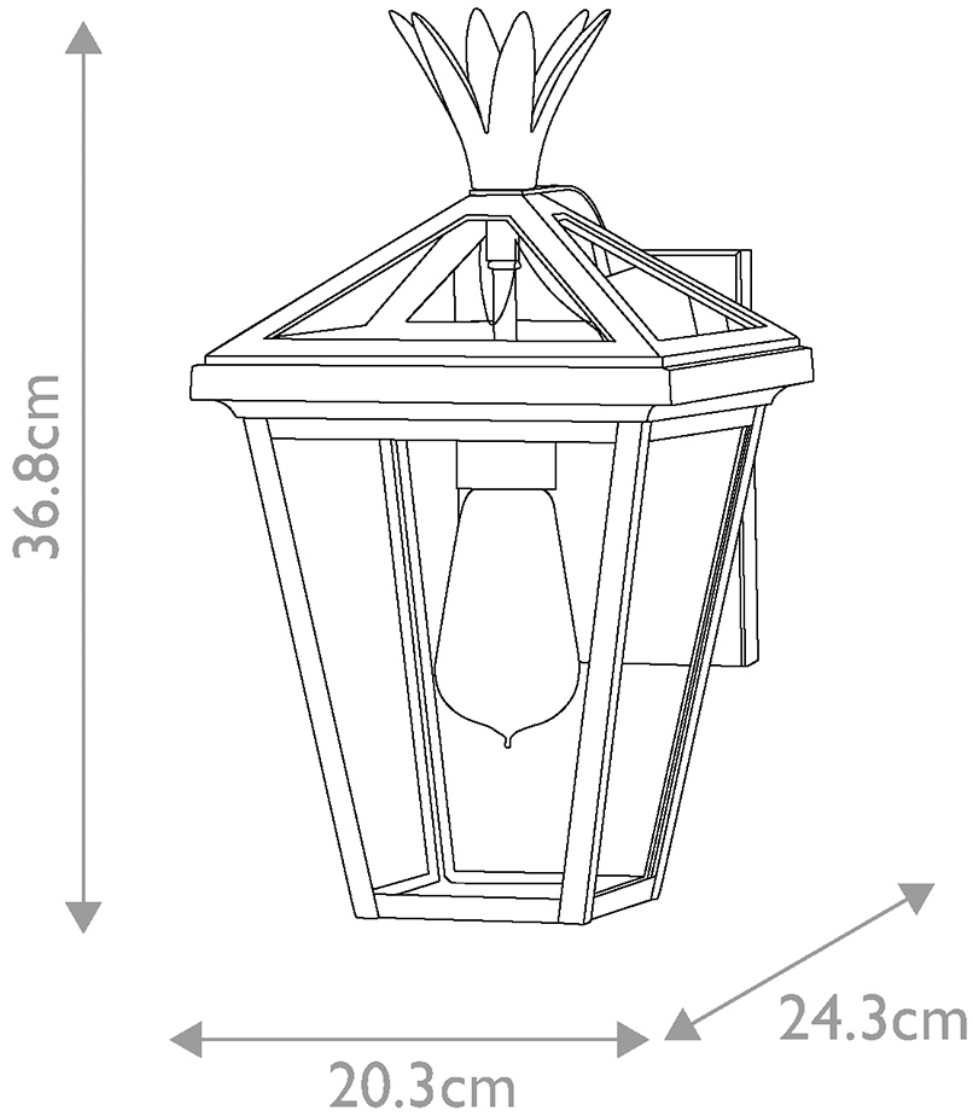


Hinkley Lighting - Palma - HK-PALMA-S-BU - Burnished Bronze Clear Glass IP44 Outdoor Wall Light



CONTACT