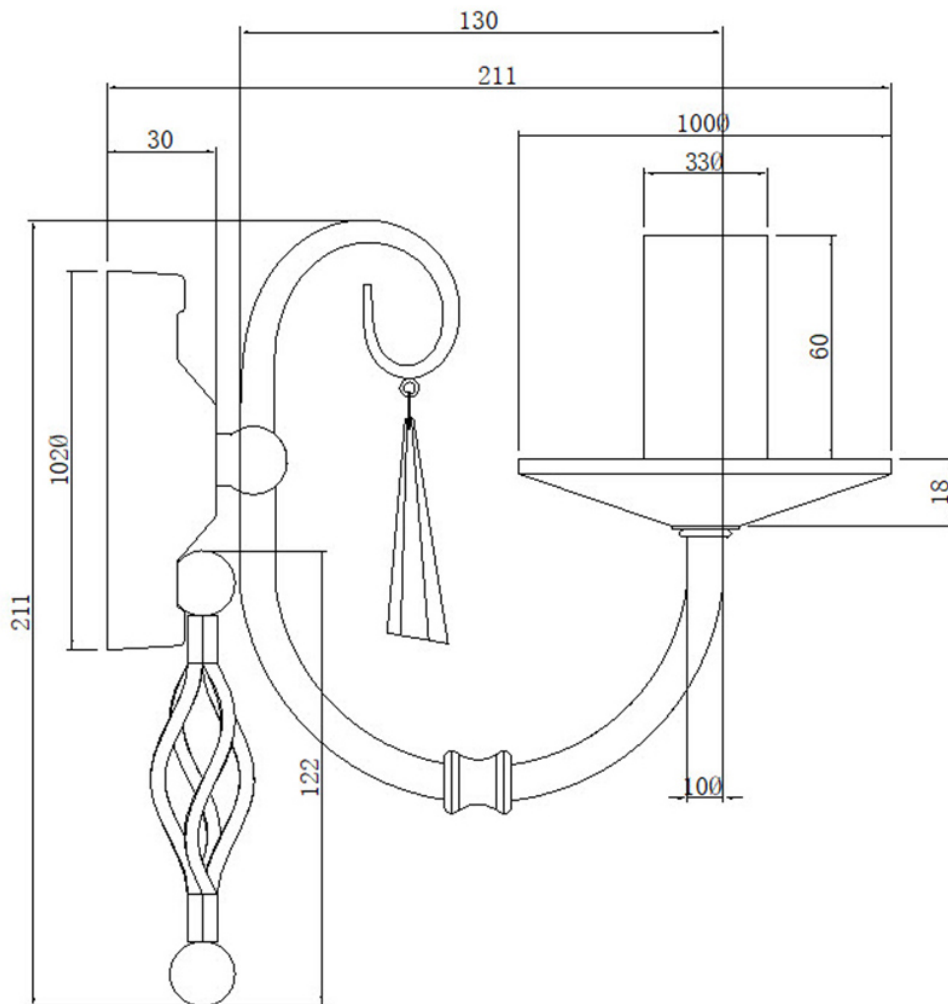


**Elstead - Aegean AG1-AGED-BRASS Wall Light**



**CONTACT**