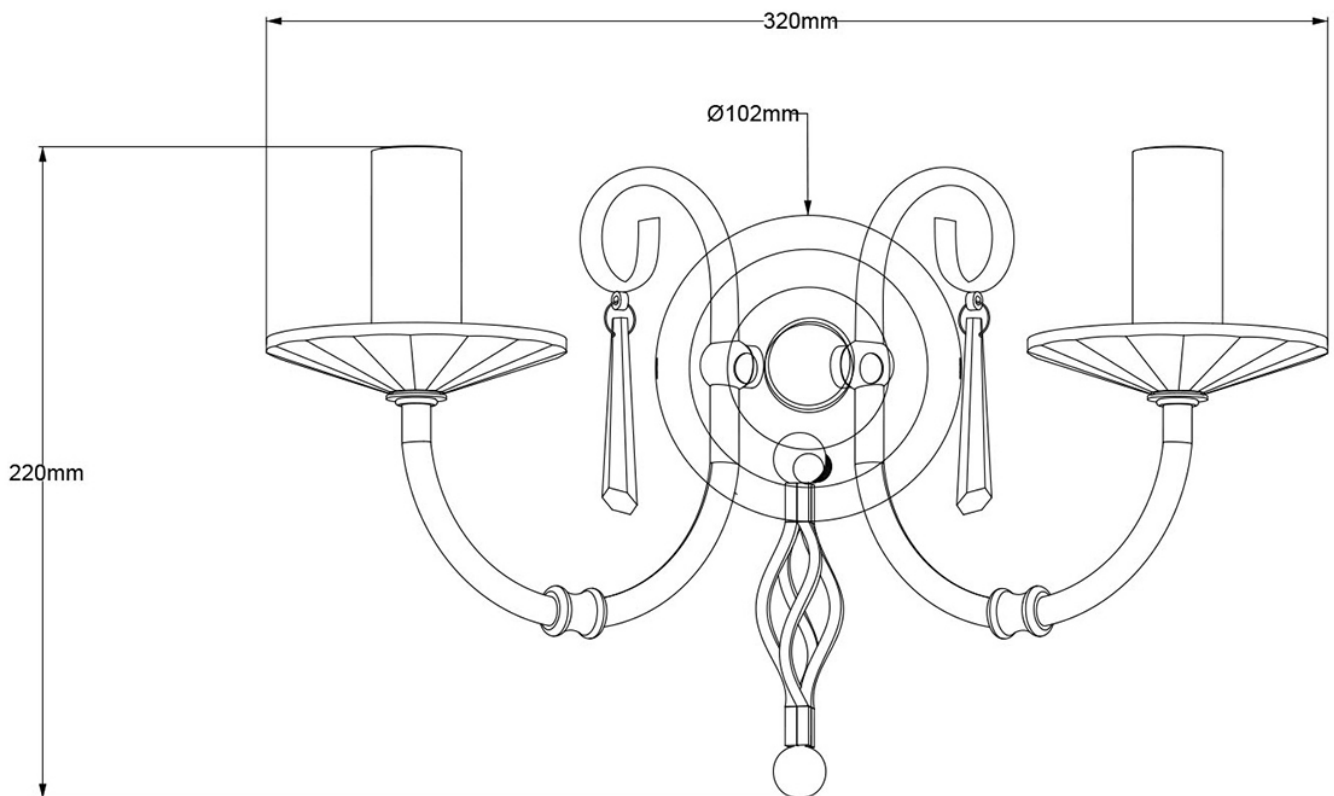


Elstead - Aegean AG2-AGED-BRASS Wall Light



CONTACT