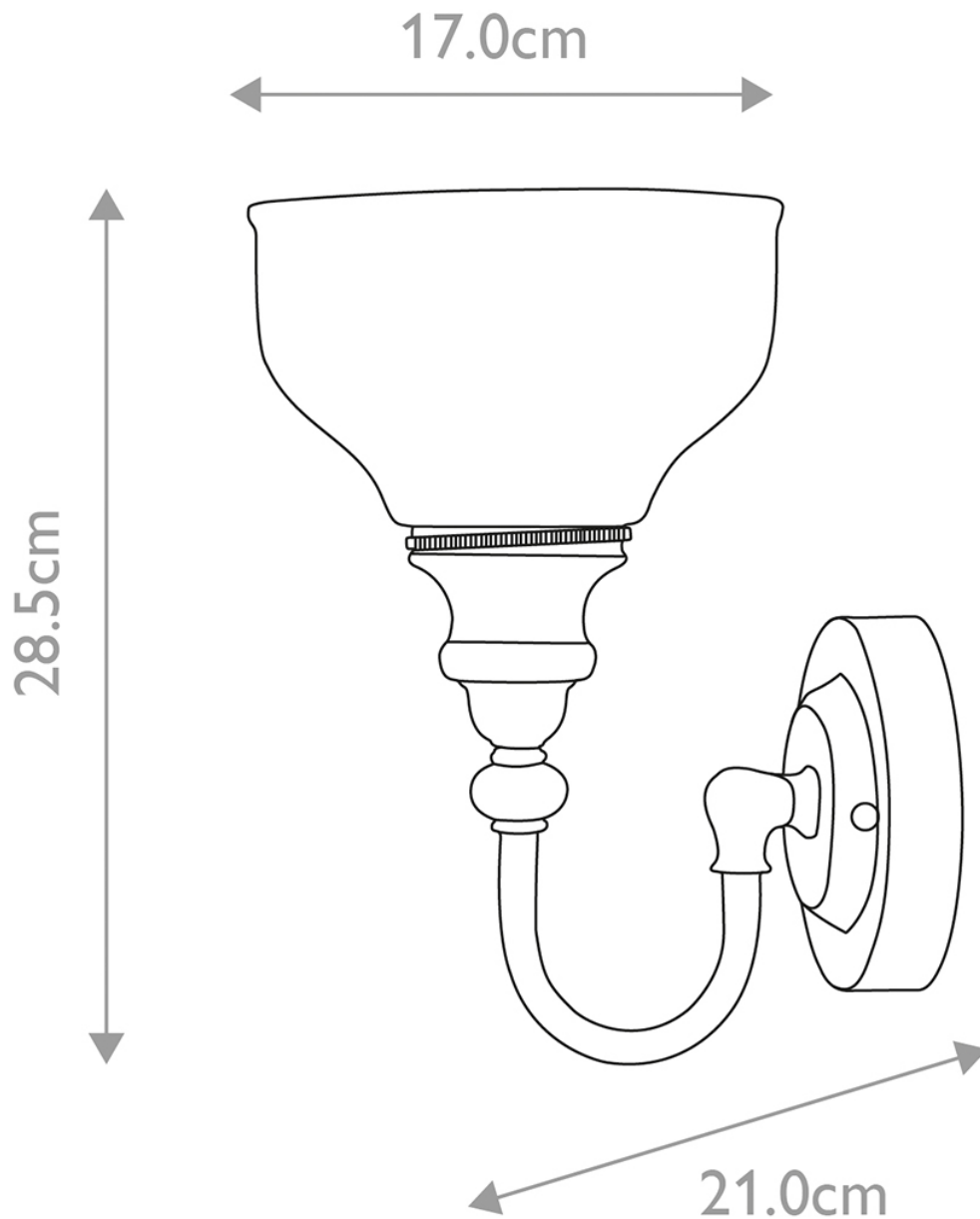


Elstead - Cheadle BATH-CD1 Wall Light



CONTACT