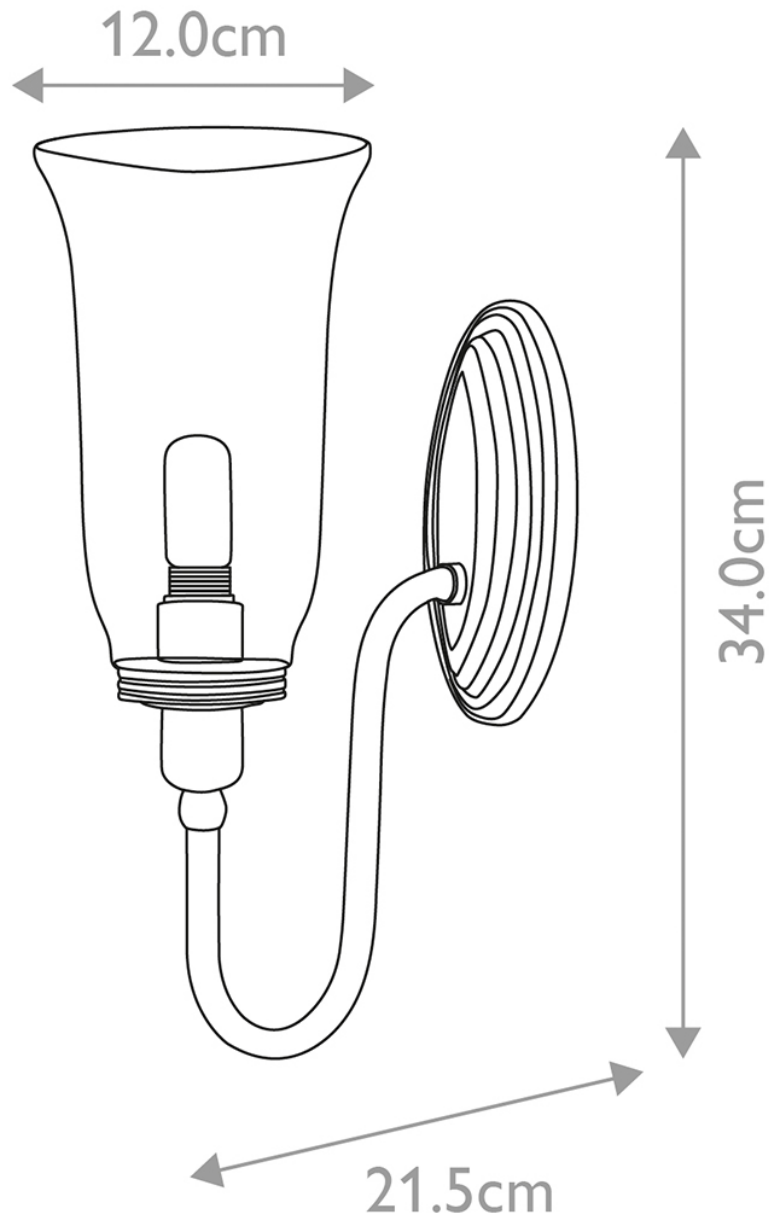


Elstead - Blake BATH-BLAKE2-PN Wall Light



CONTACT