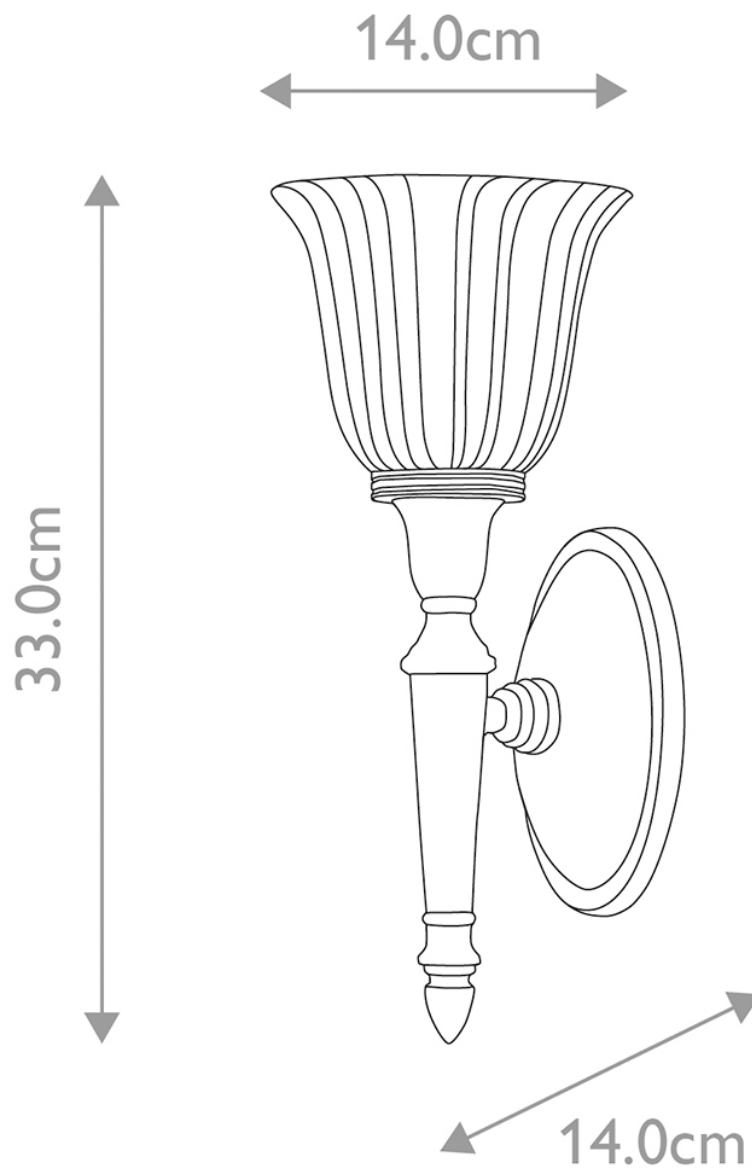


**Elstead - Dryden BATH-DRYDEN1-PN Wall Light**



**CONTACT**