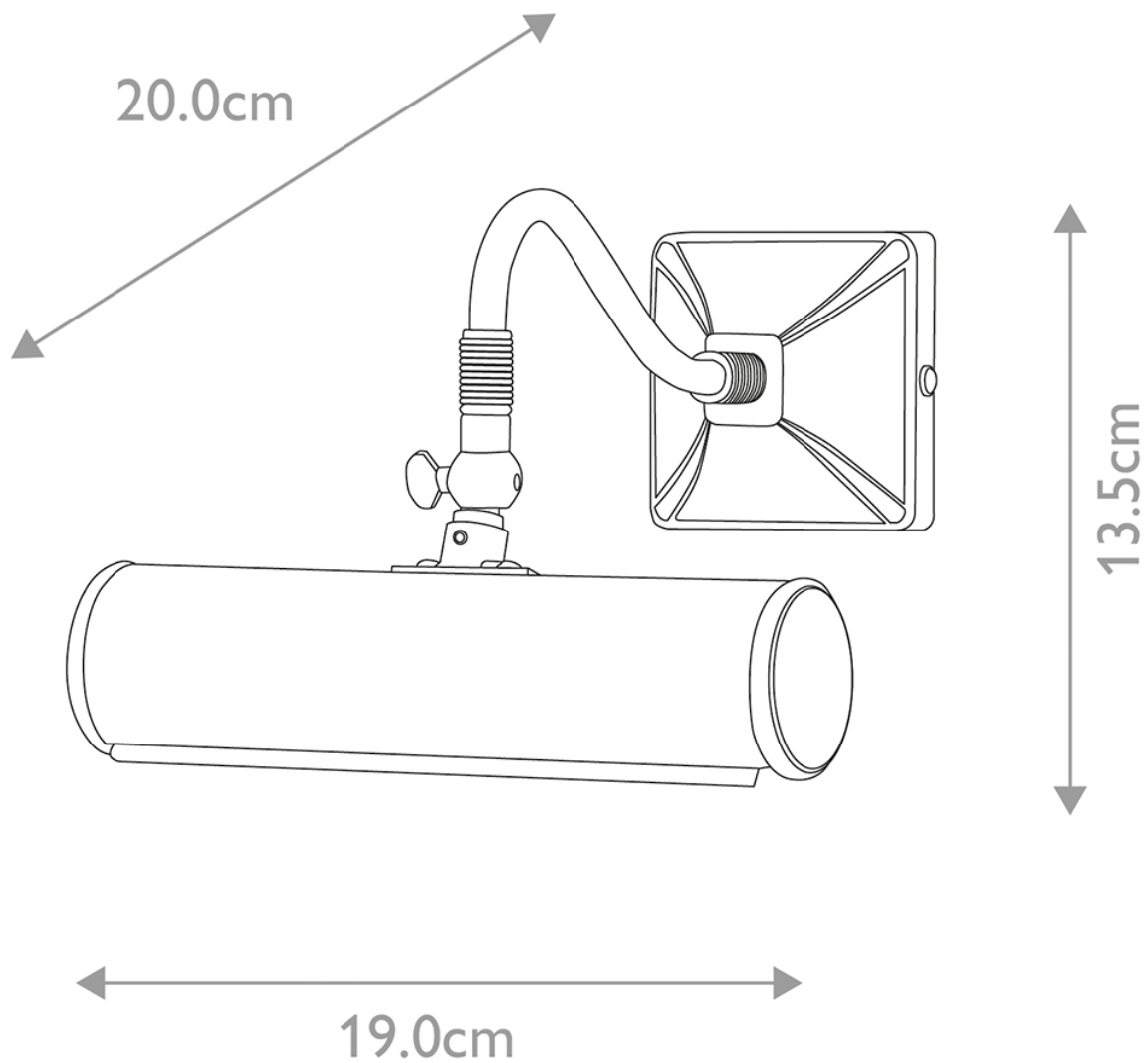


**Elstead - Picture Light PL1-10-PB**



**CONTACT**