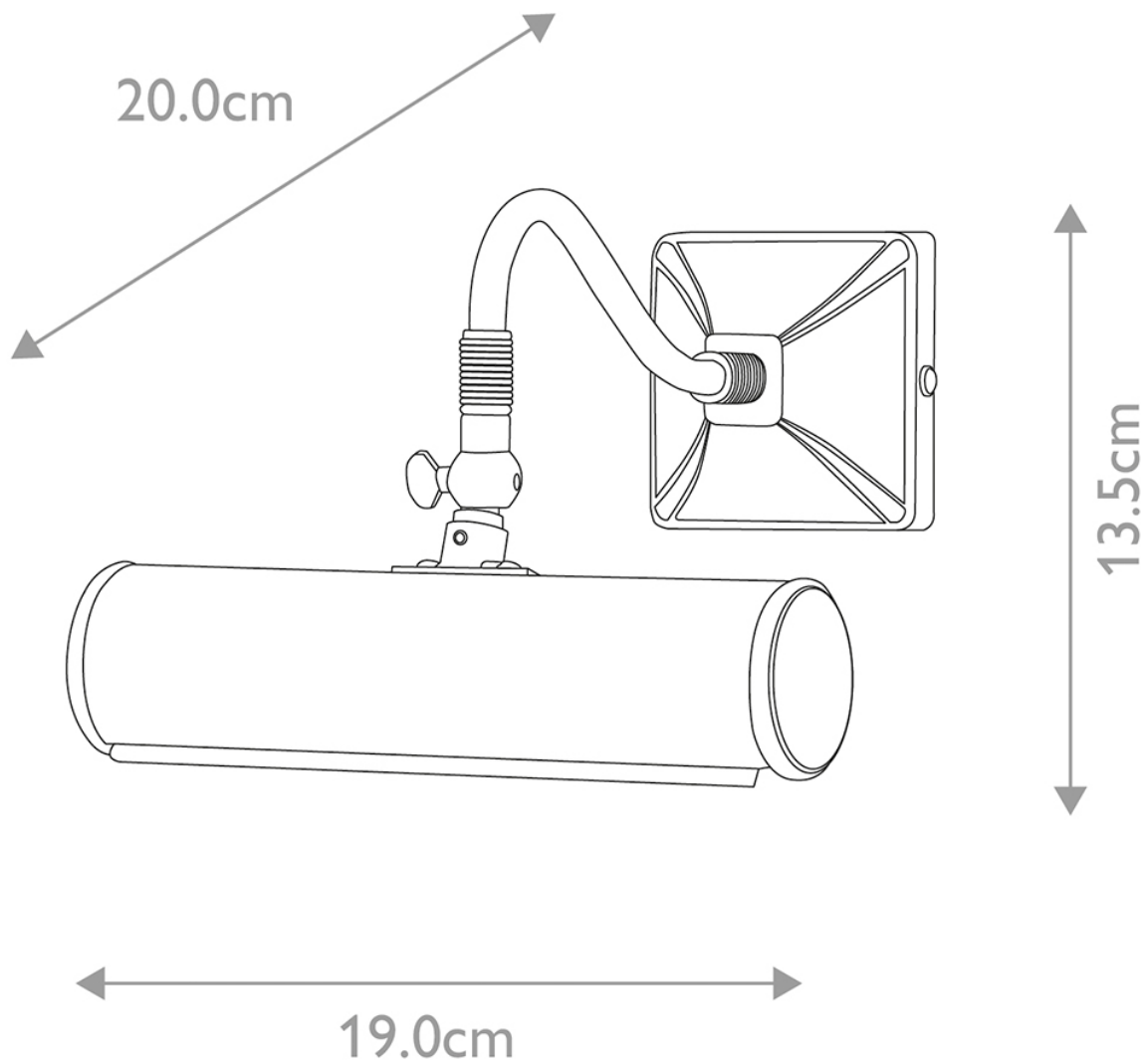


**Elstead - Picture Light PL1-10-PC**



**CONTACT**