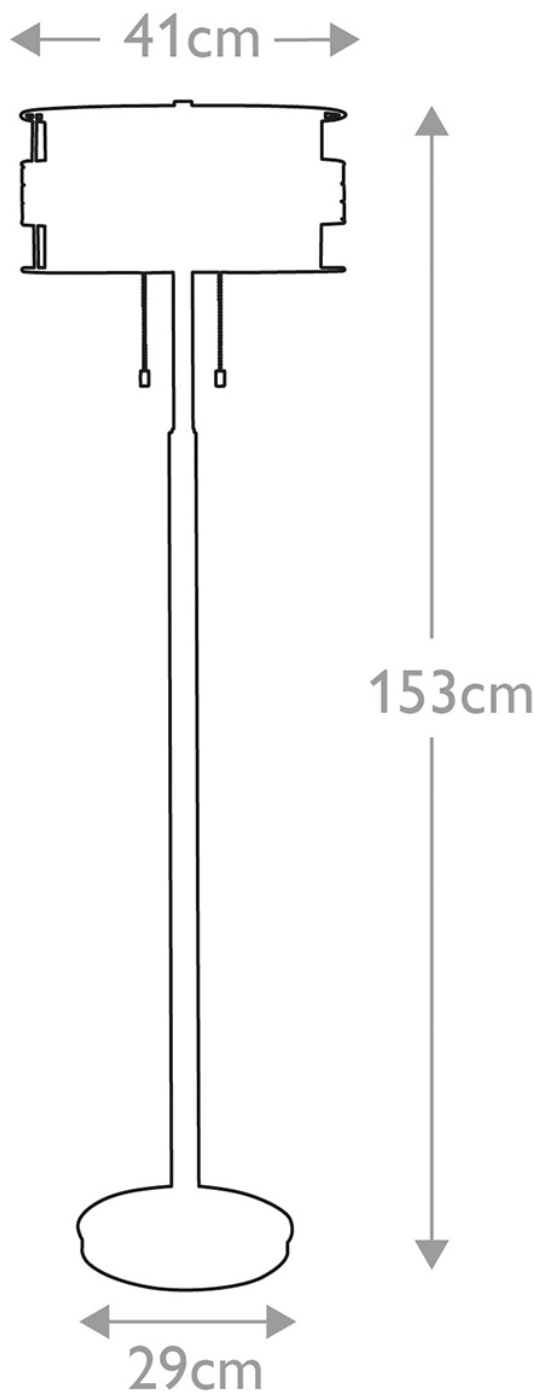


Elstead - Quoizel - Laguna QZ-LAGUNA-FL-A Floor Lamp



**CONTACT**