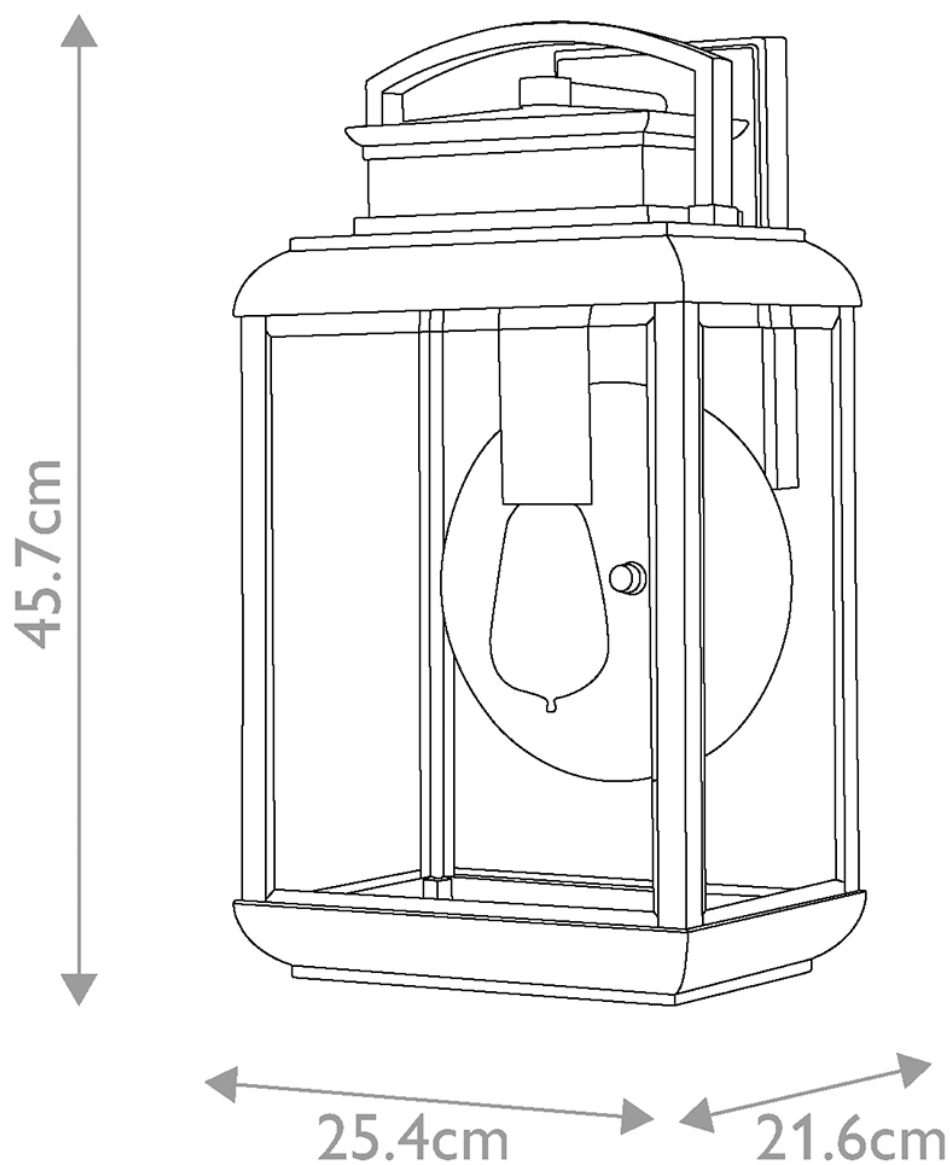


Elstead - Quoizel - Byron QZ-BYRON-L Wall Light



**CONTACT**