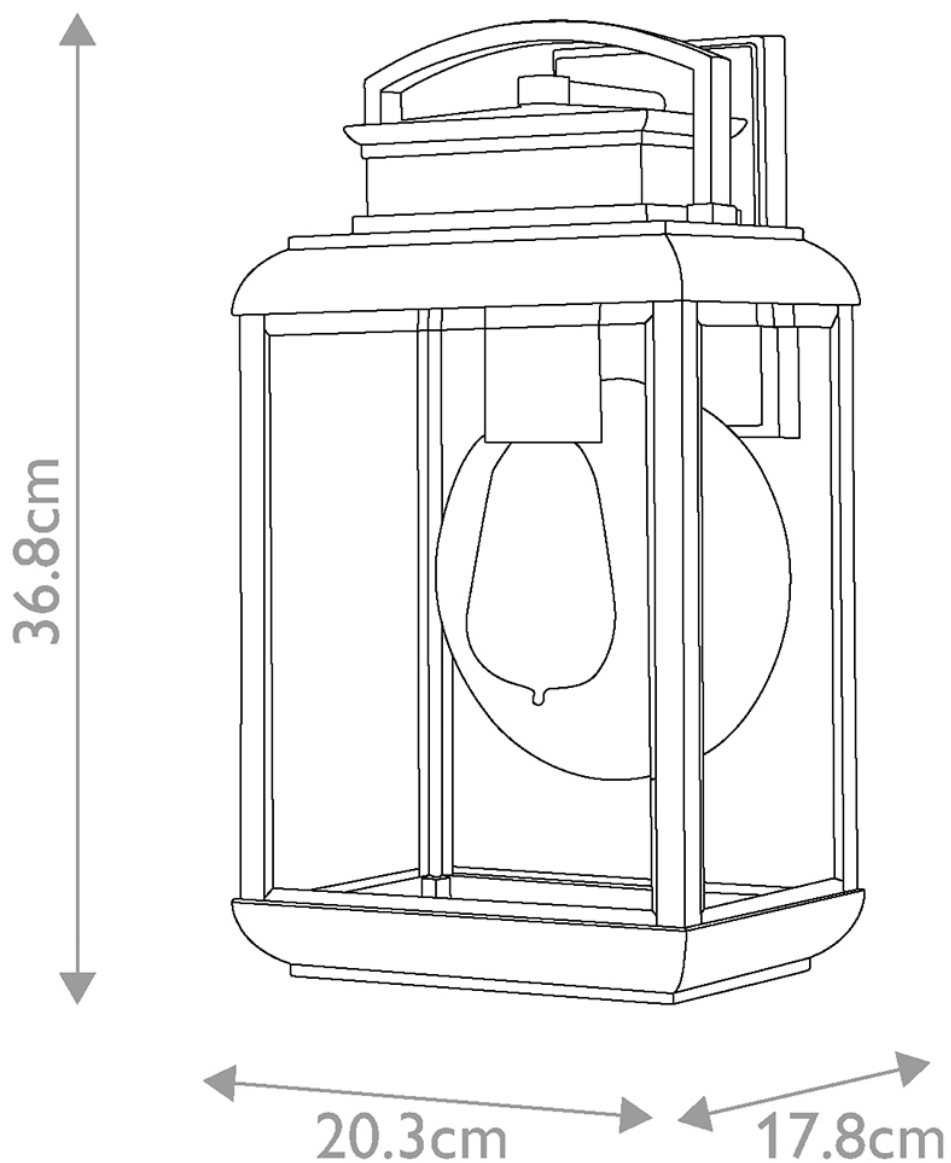


Elstead - Quoizel - Byron QZ-BYRON-M Wall Light



CONTACT