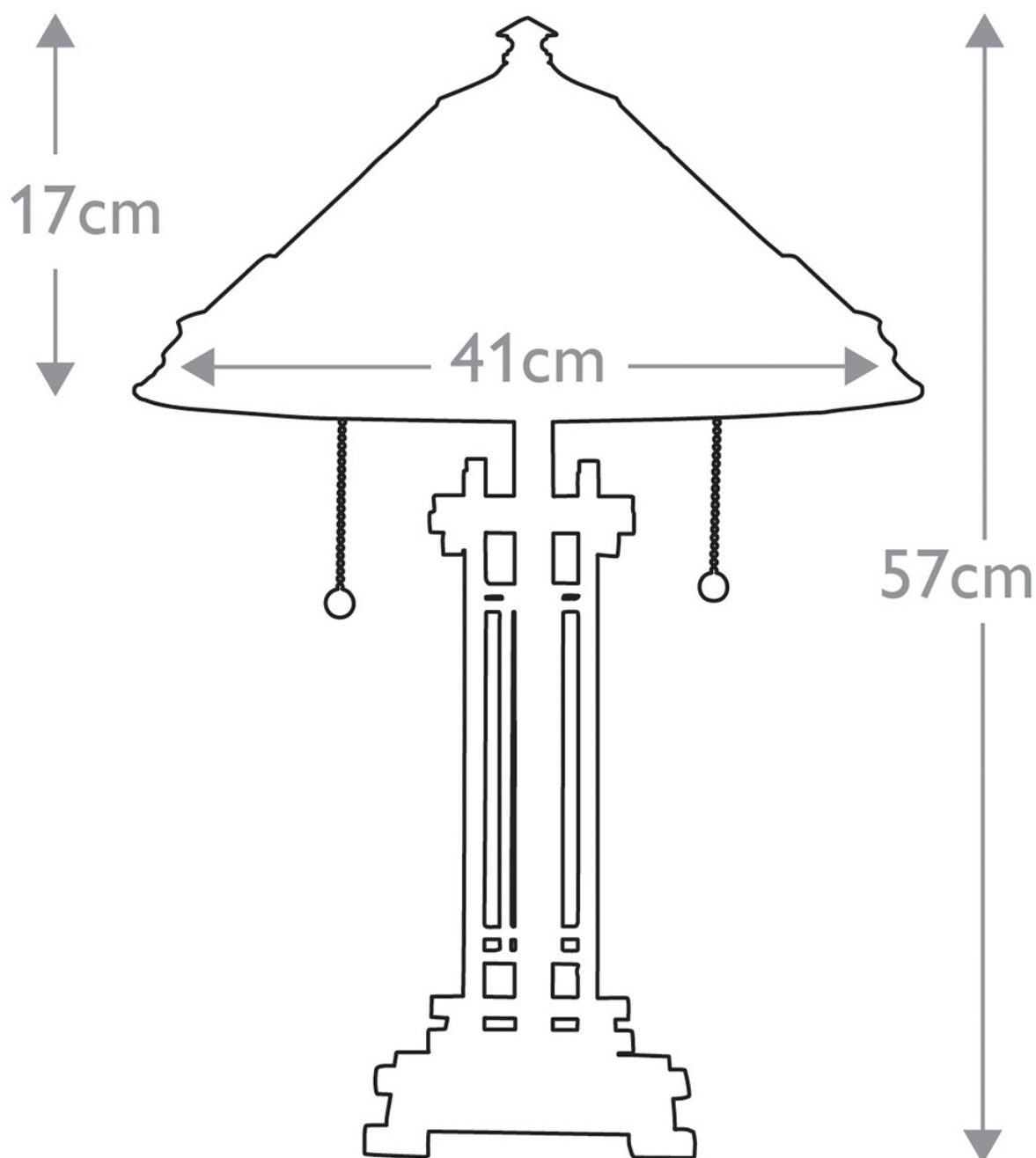


Elstead - Quoizel - Chastain QZ-CHASTAIN-TL Table Lamp



CONTACT