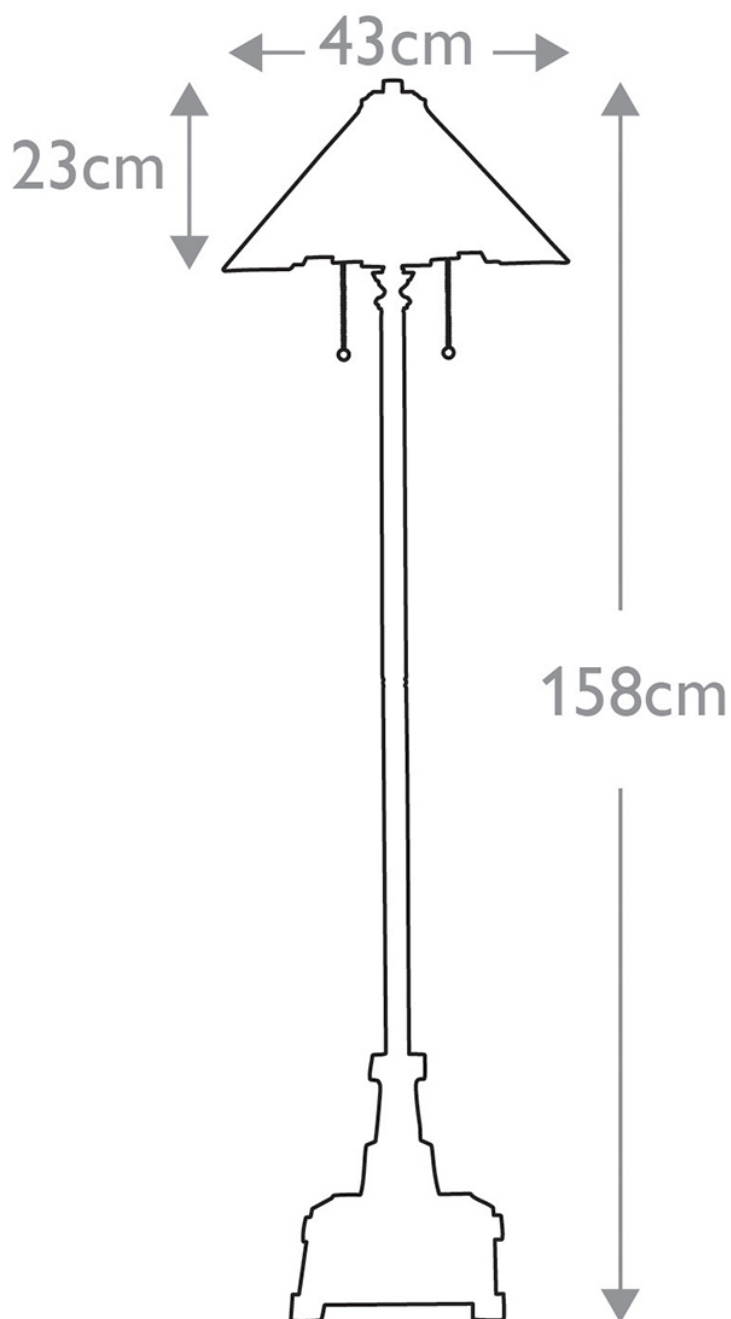


Elstead - Quoizel - Inglenook QZ-INGLENOOK-FL Floor Lamp



CONTACT