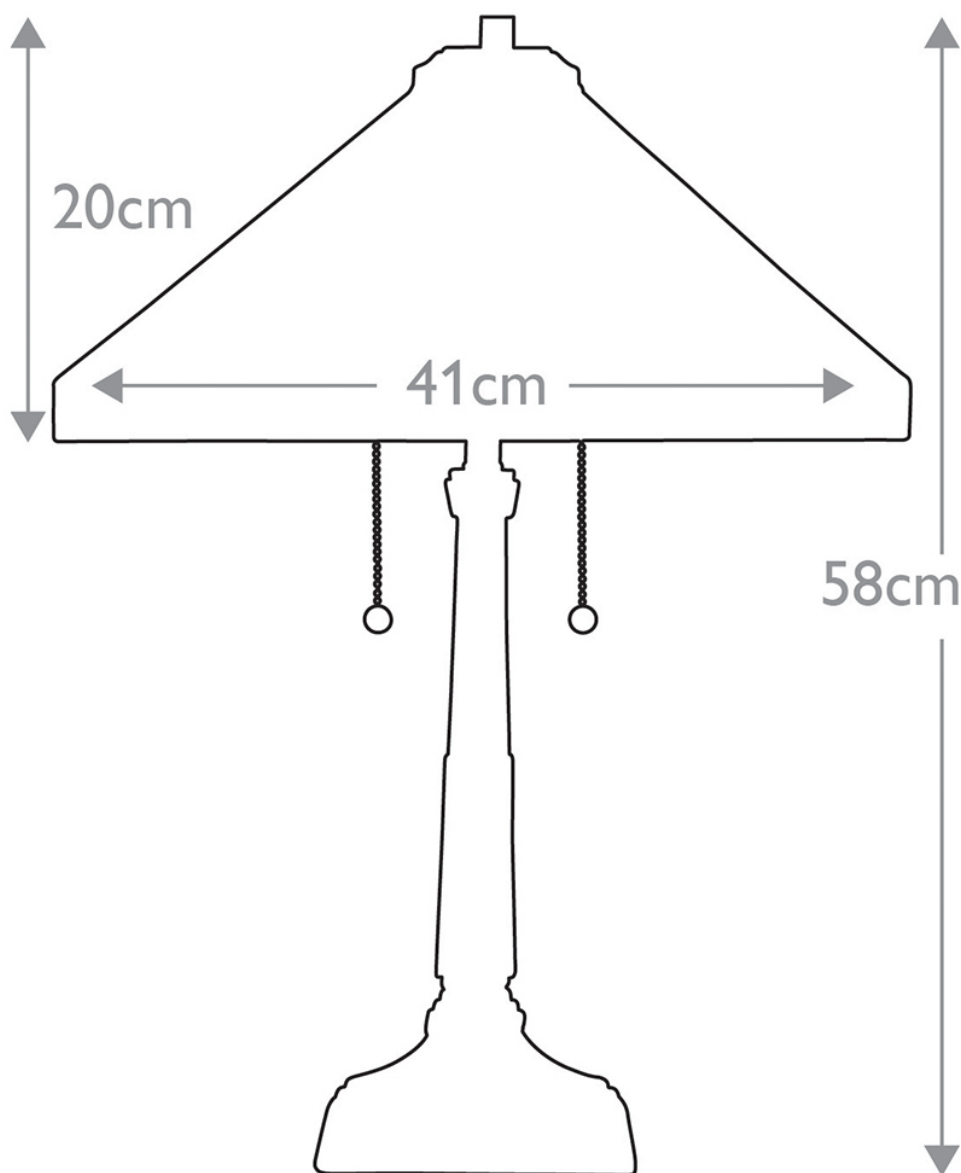


Elstead - Quoizel - Stephen QZ-STEPHEN-TL Table Lamp



**CONTACT**