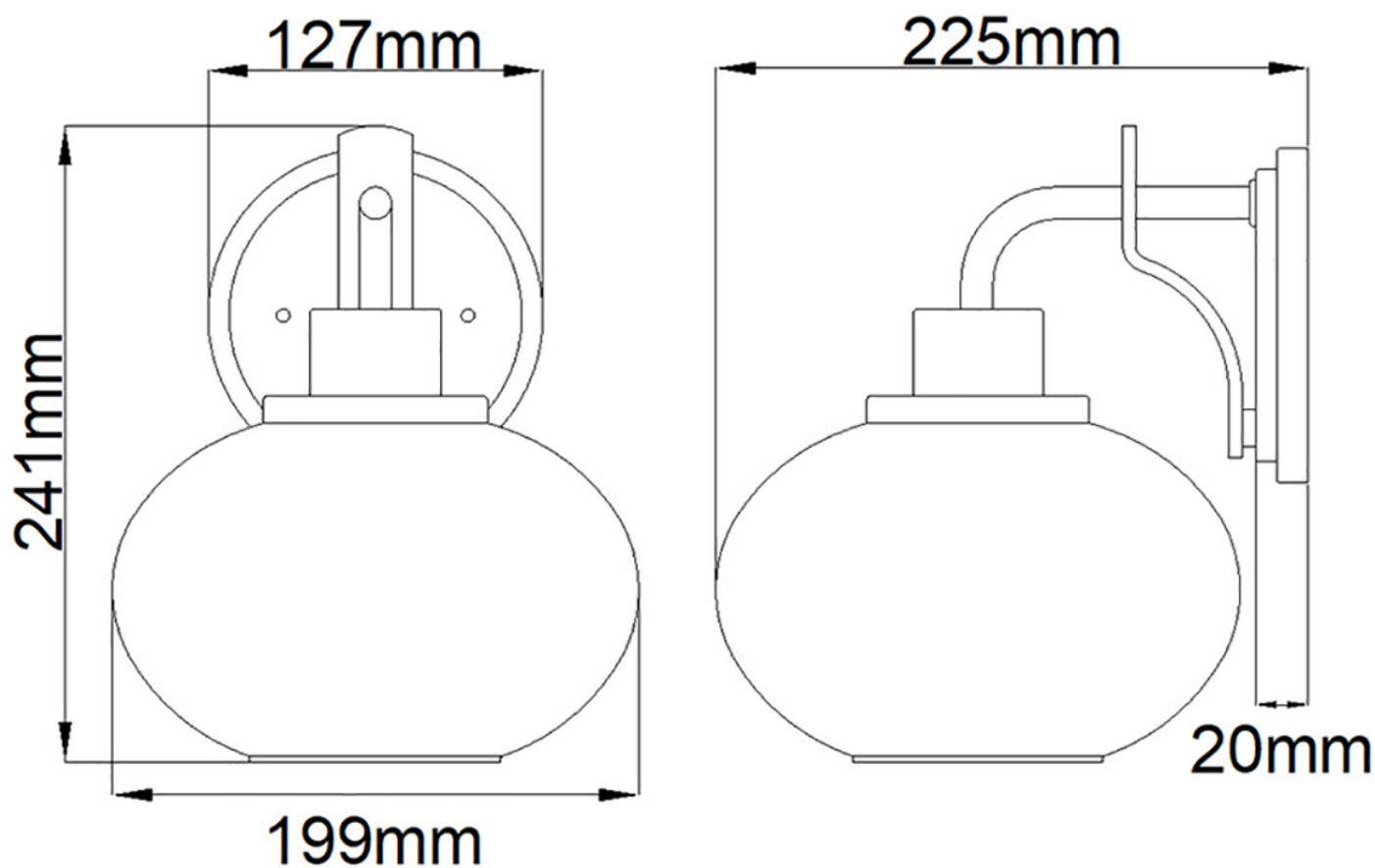


Elstead - Quoizel - Trilogy QZ-TRILOGY1 Wall Light



CONTACT