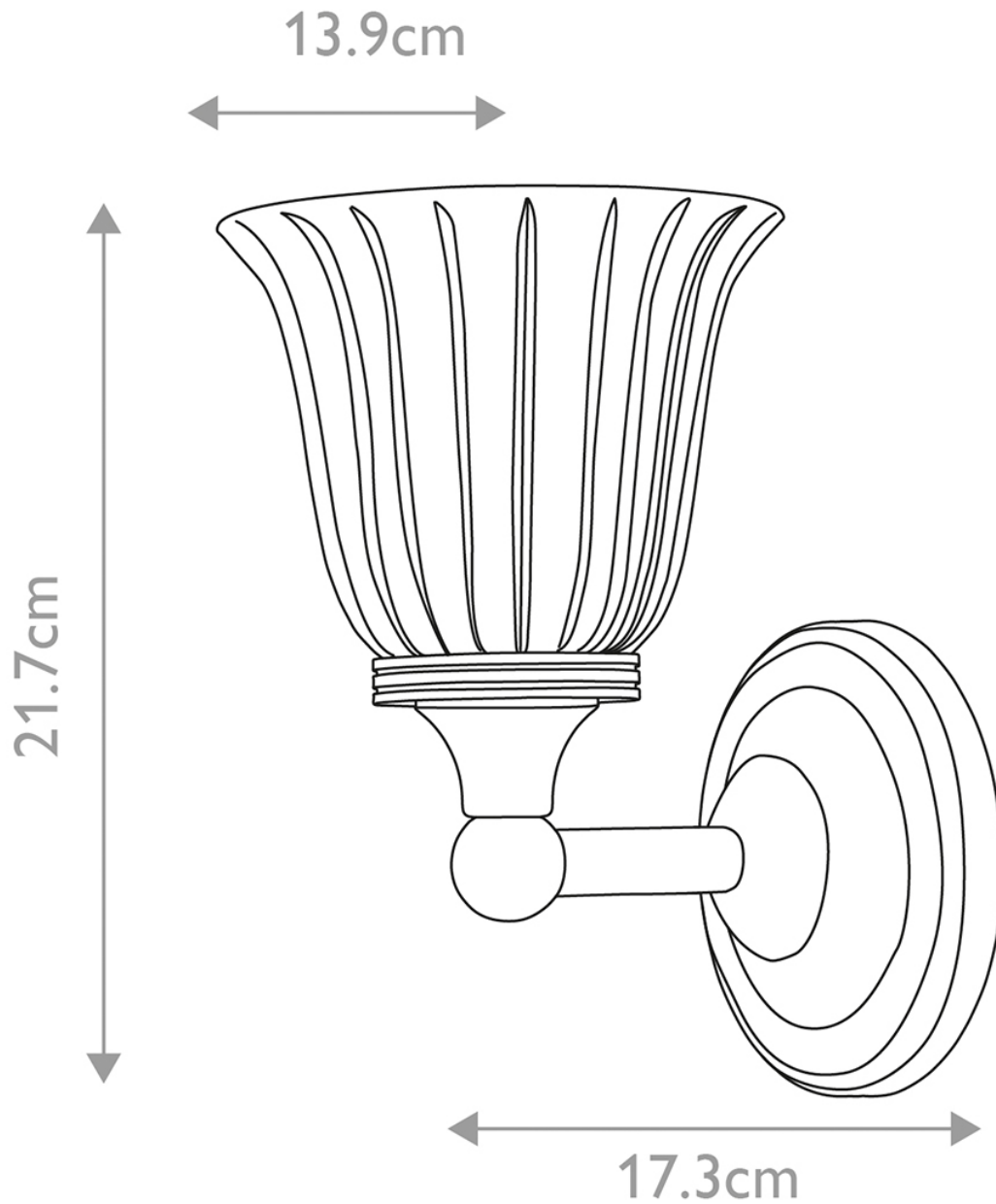


Elstead - Austen BATH-AUSTEN1-PB Wall Light



**CONTACT**