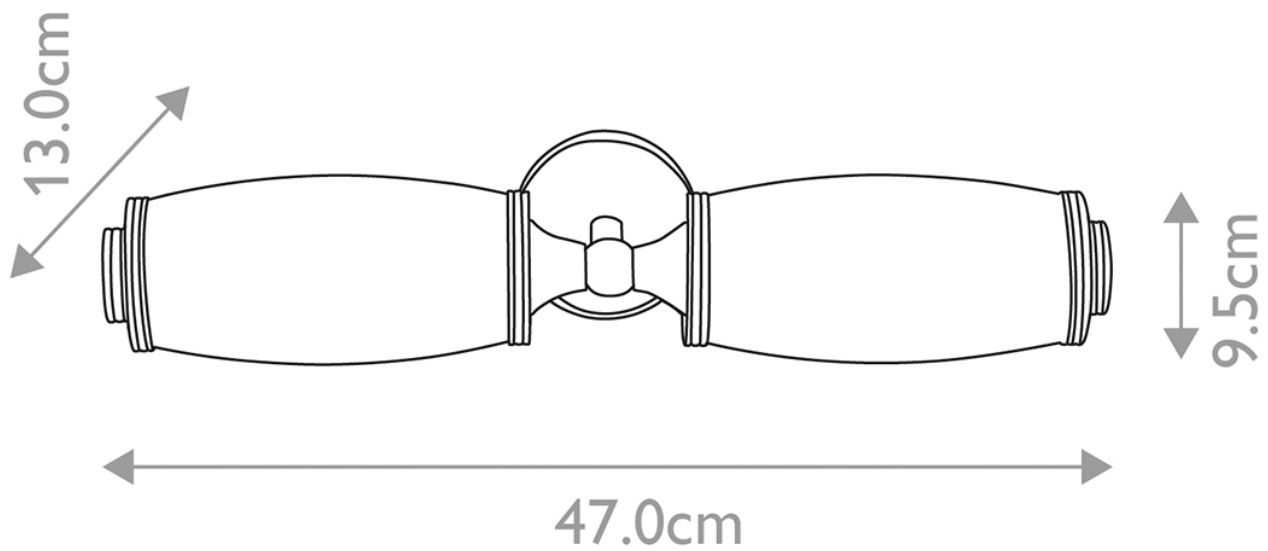


**Elstead - Eliot BATH-ELIOT2-PB Wall Light**



**CONTACT**