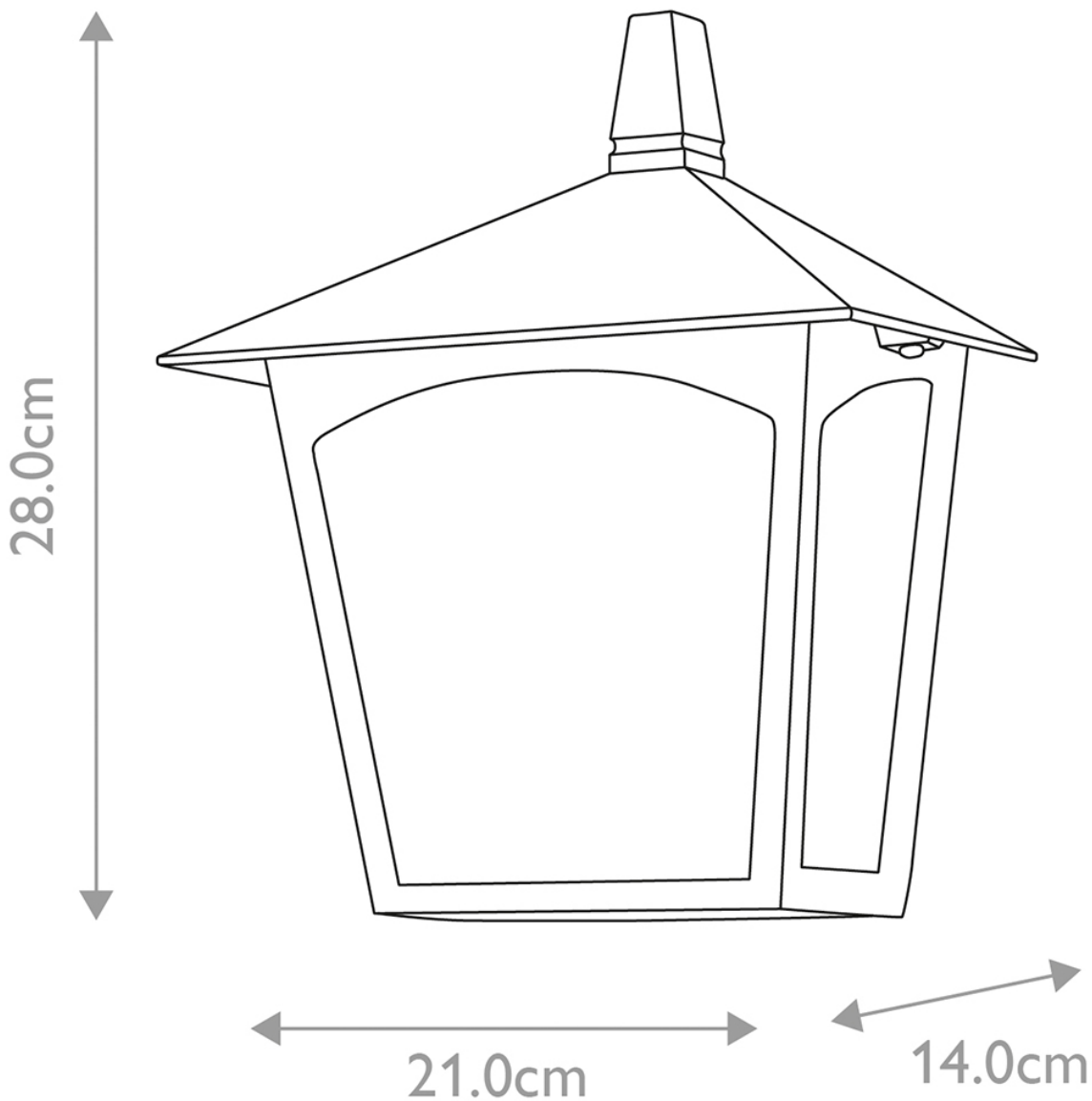


Elstead - York BL15-BLACK Half Lantern



CONTACT