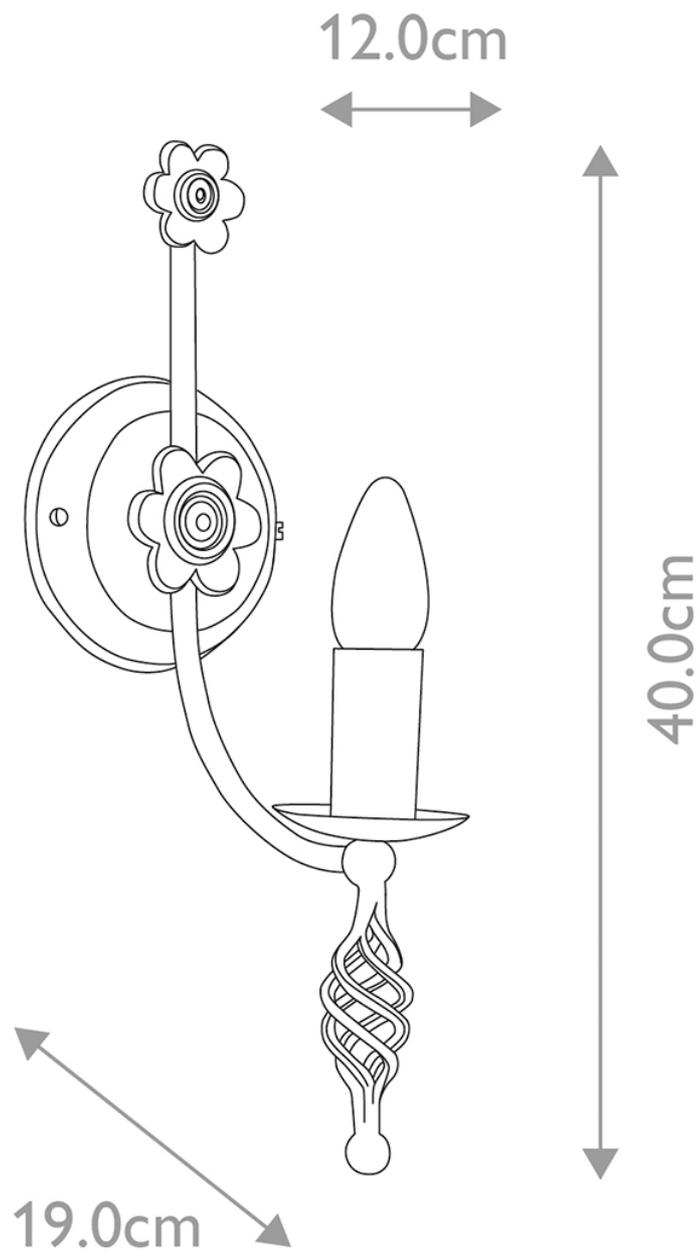


**Elstead - Belfry BY1-BLACK Wall Light**



**CONTACT**