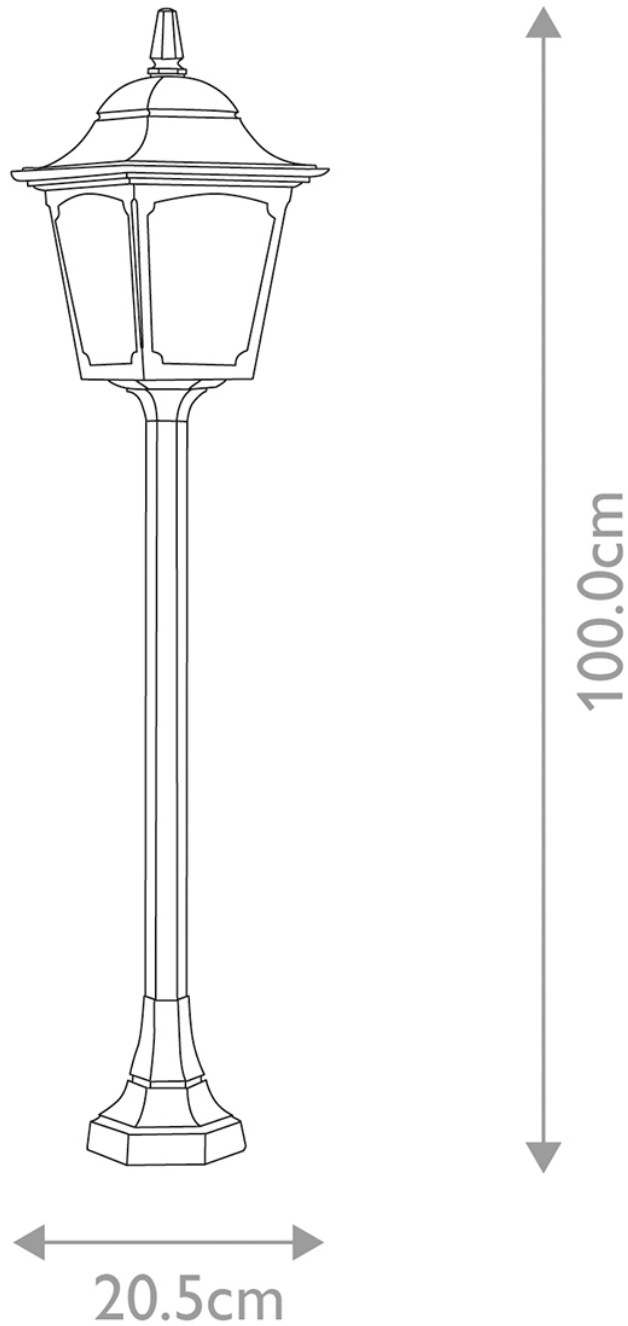


**Elstead - Chapel CP5-BLACK Pillar**



**CONTACT**