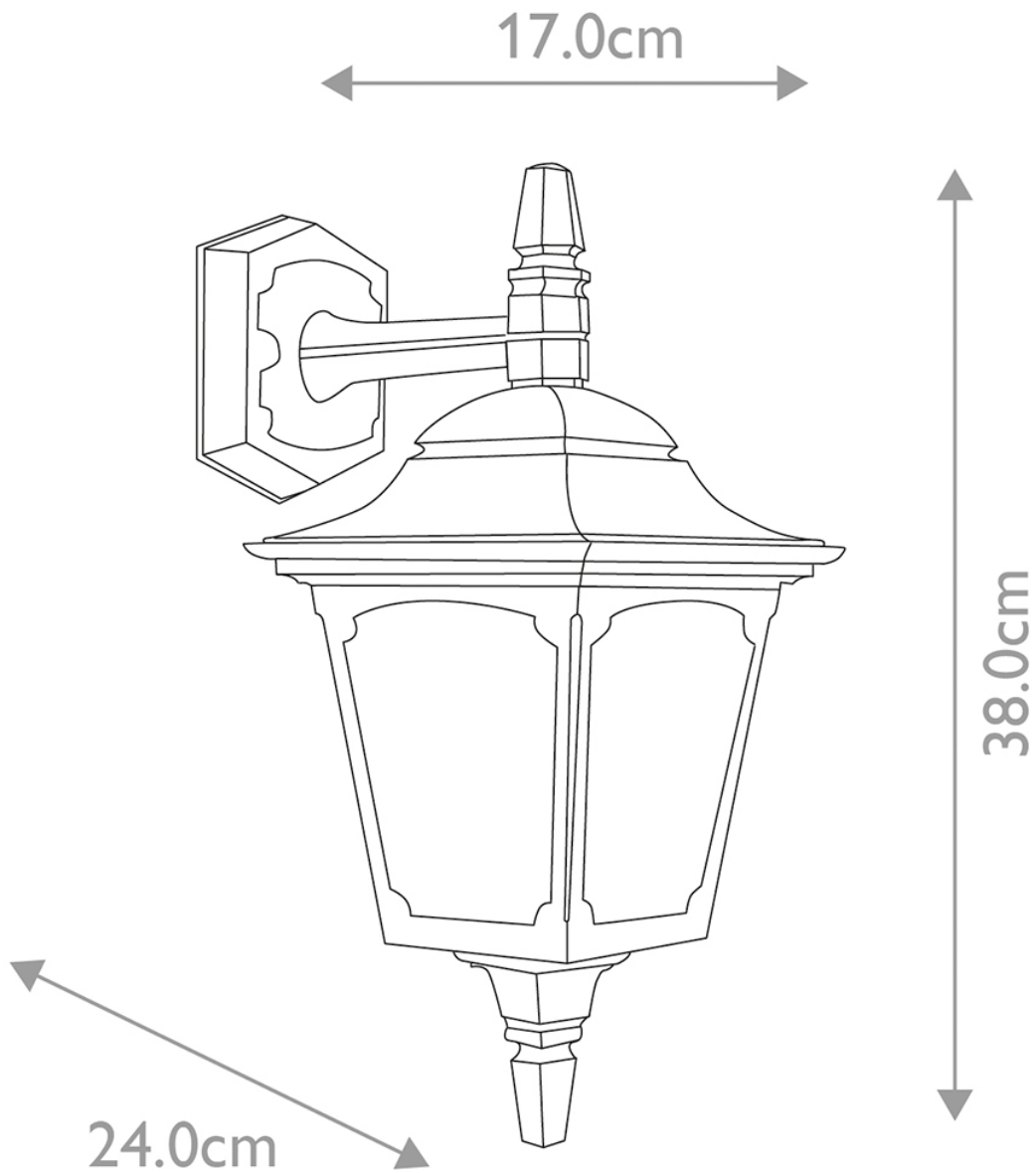


**Elstead - Chapel CPM2-BLACK Wall Light**



**CONTACT**