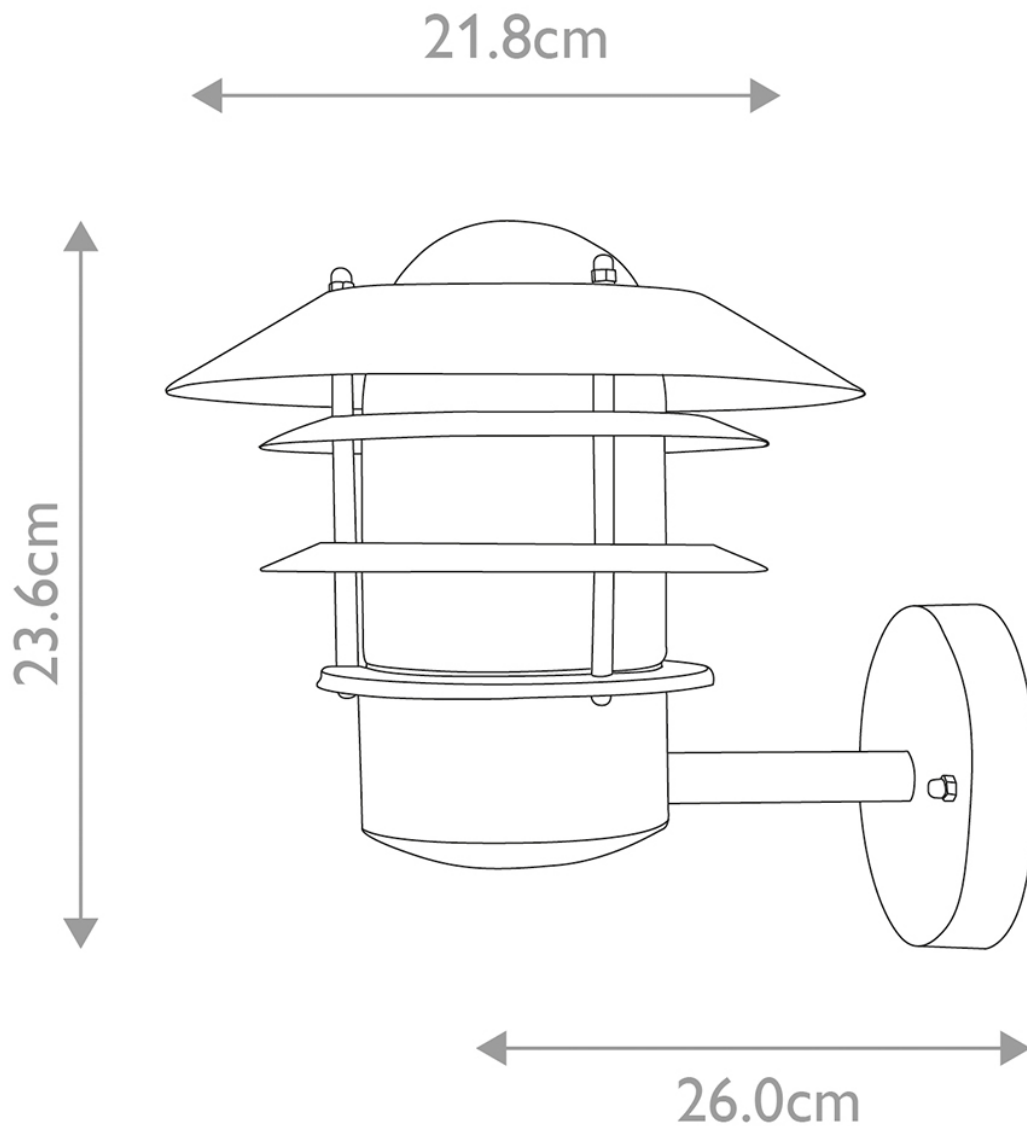


**Elstead - HELSINGOR Wall Light**



**CONTACT**