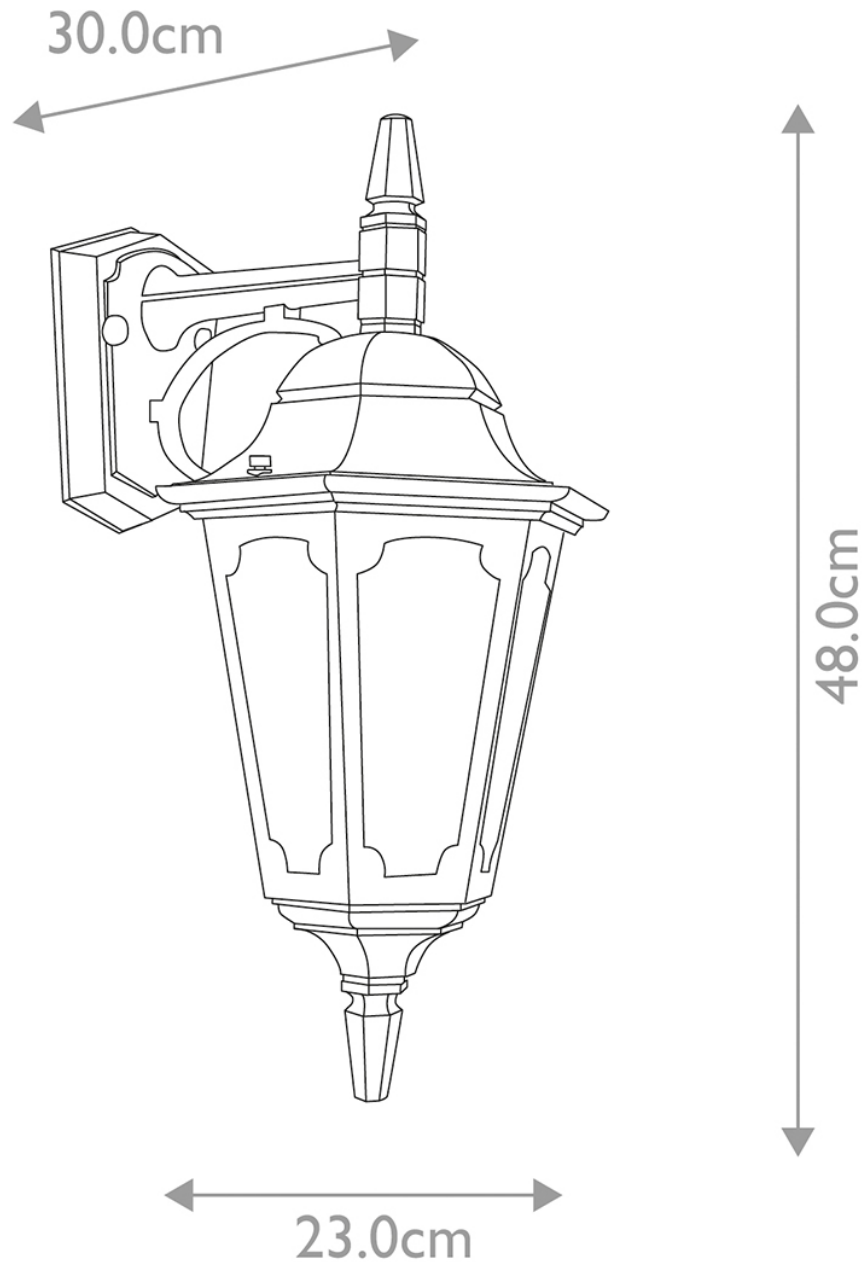


Elstead - Parish PR2-BLACK Wall Light



CONTACT