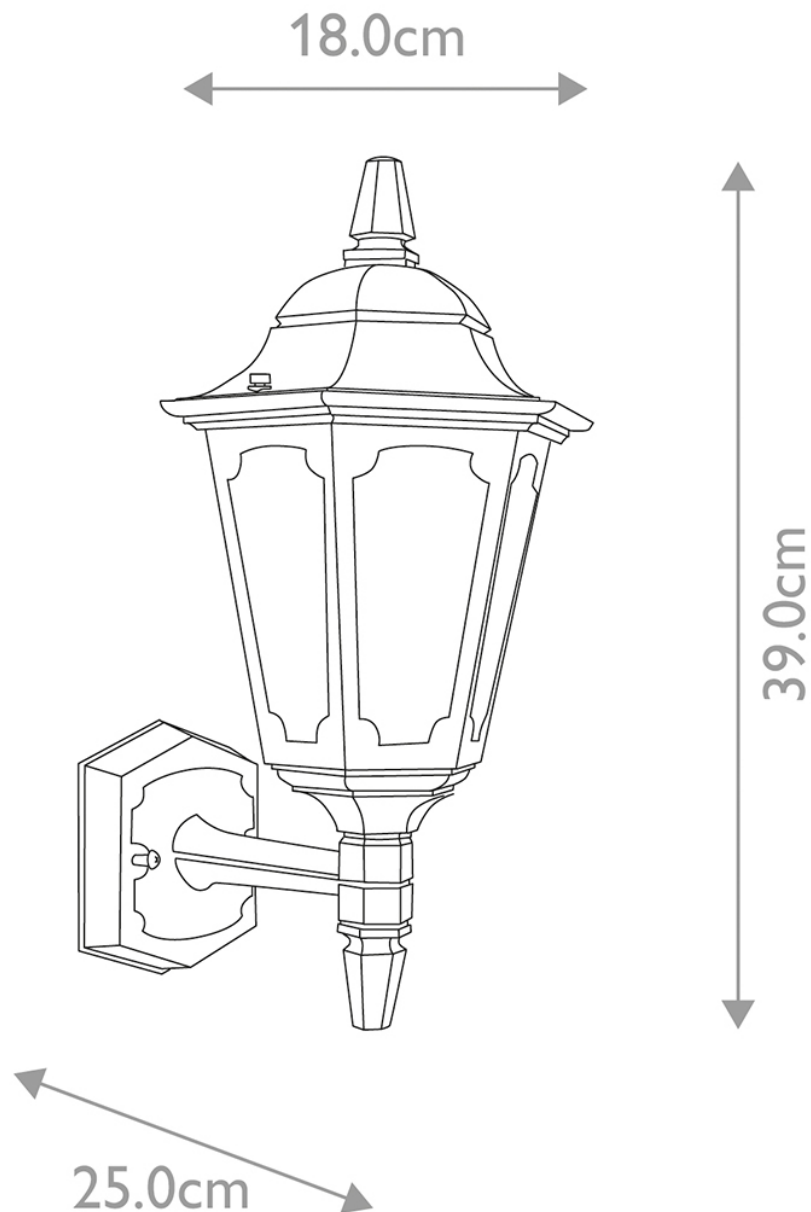


**Elstead - Parish PRM1-BLACK Wall Light**



**CONTACT**