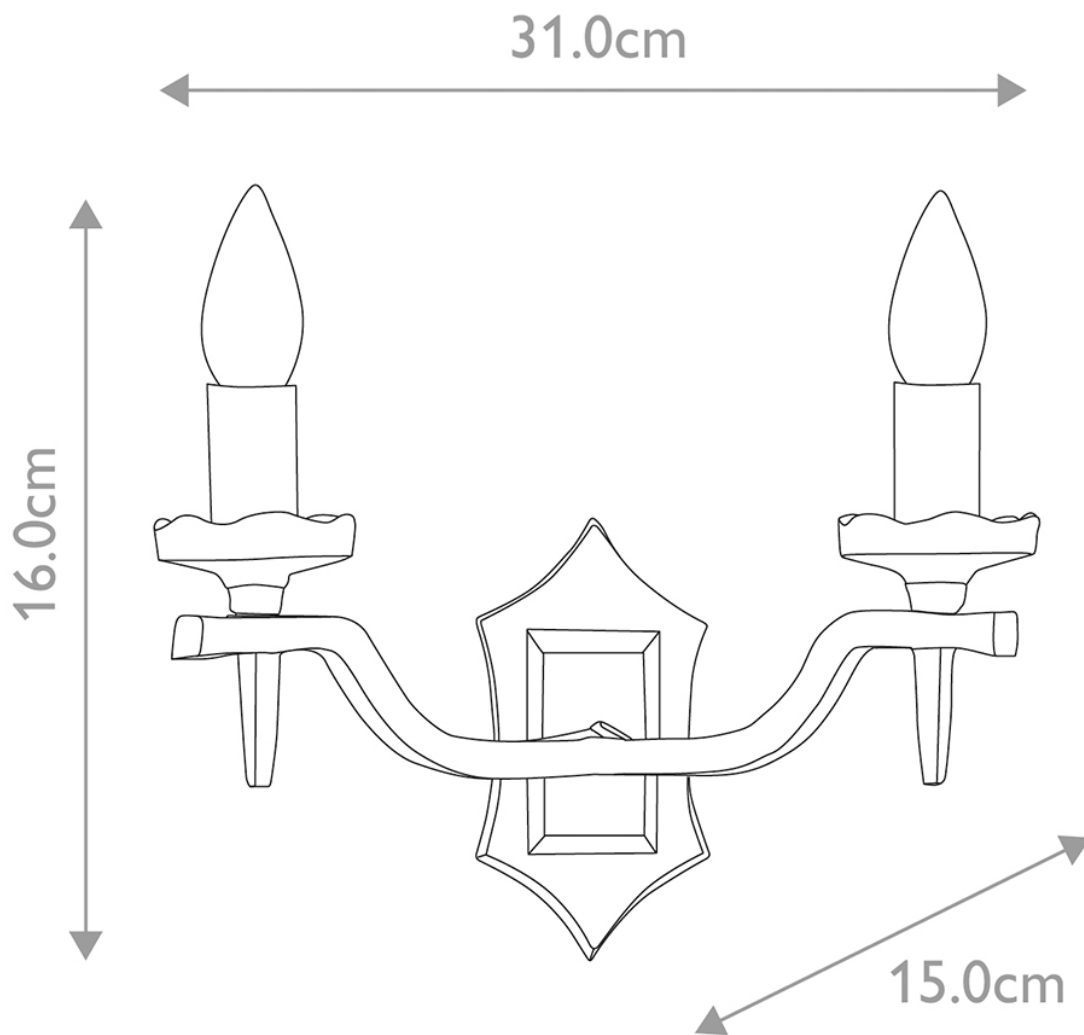


**Elstead - Rectory RY2B-BLACK Wall Light**



**CONTACT**