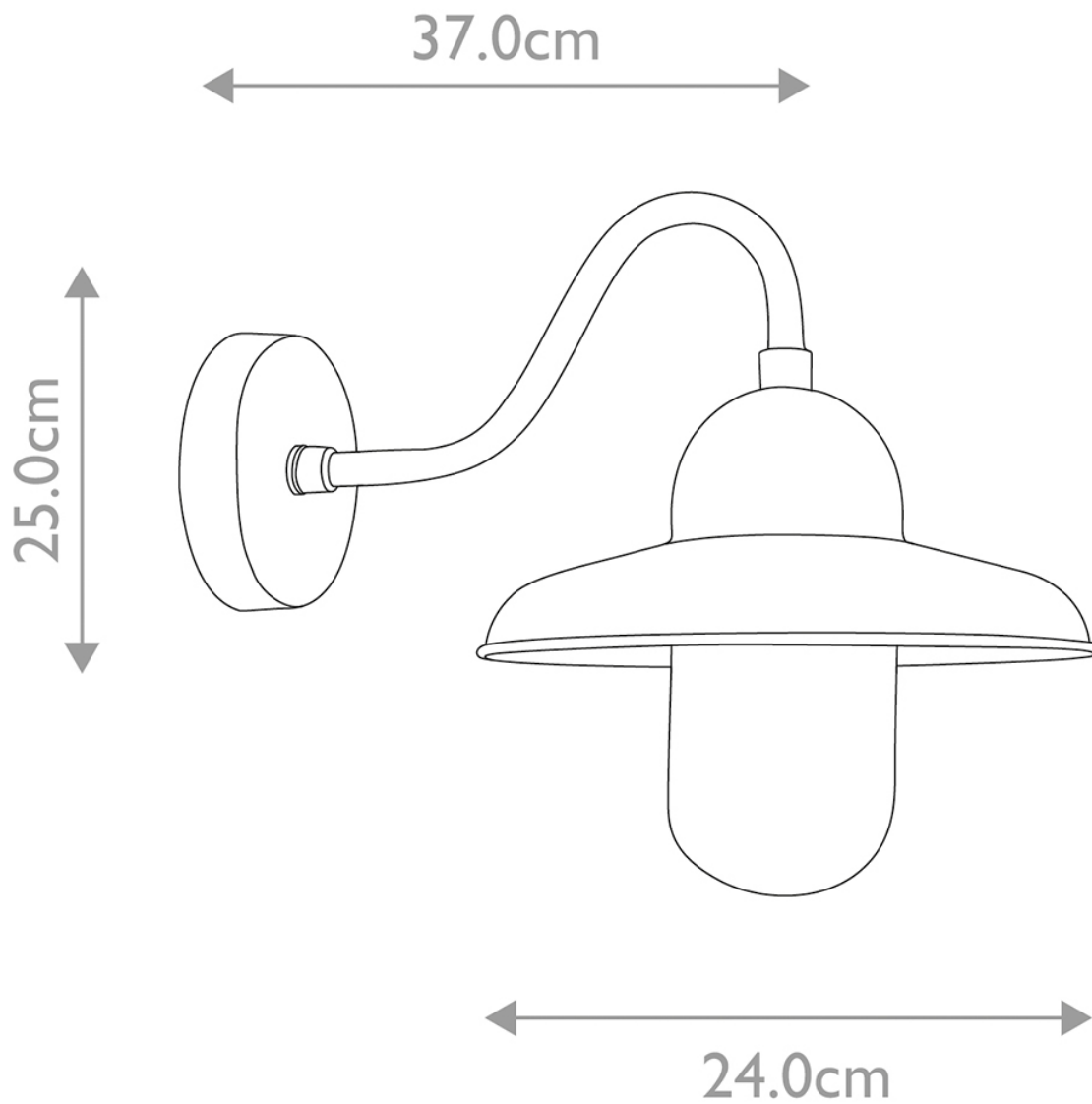


**Elstead - Somerton SOMERTON-V Wall Light**



**CONTACT**