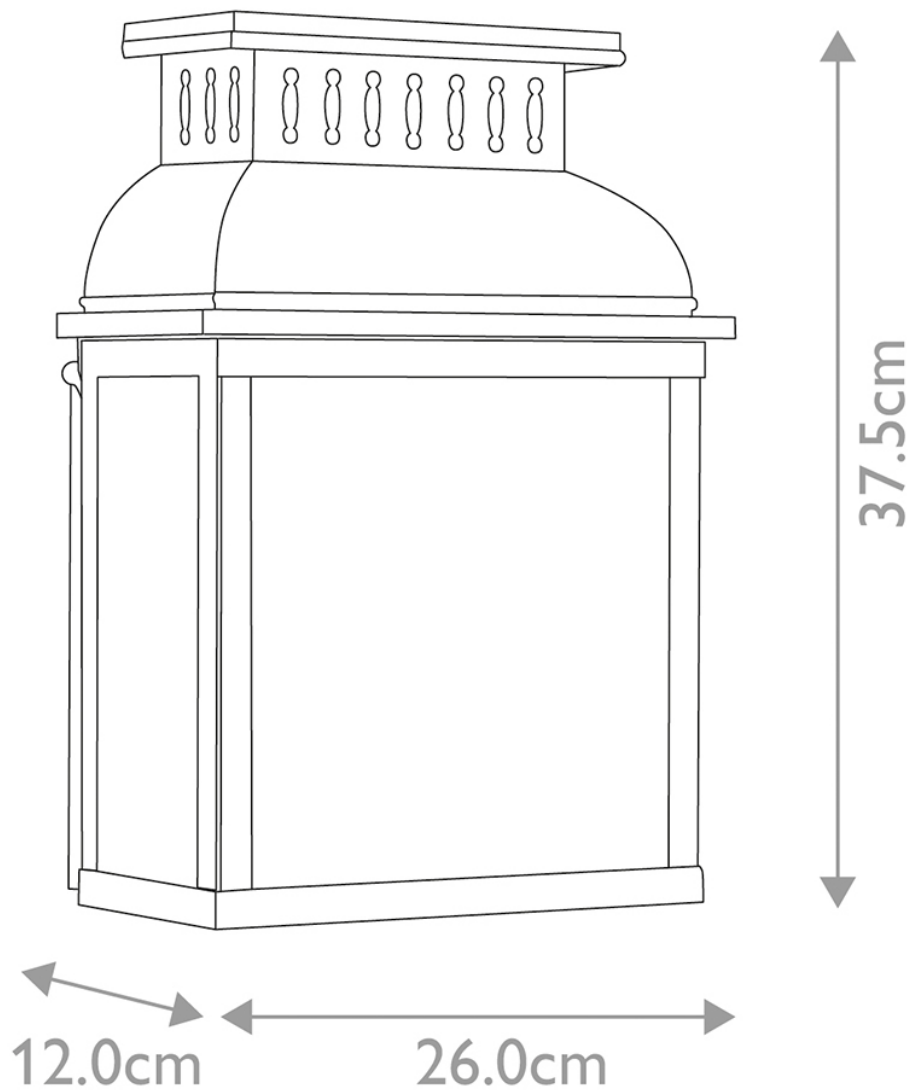


**Elstead - Westminster WESTMINSTER-PN Wall Light**



**CONTACT**