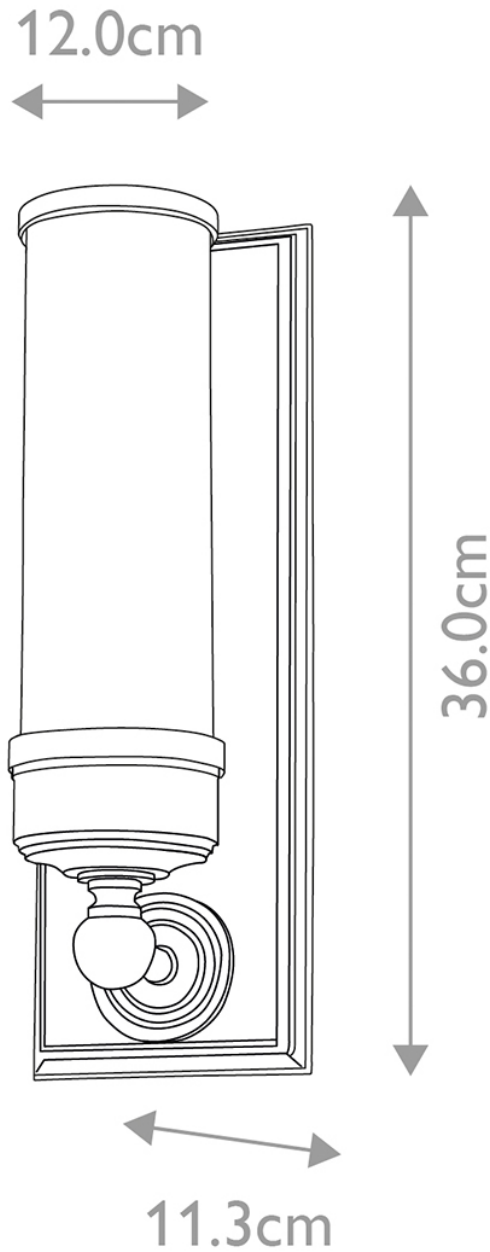


Elstead - Worcester BATH-WS1 Wall Light



CONTACT