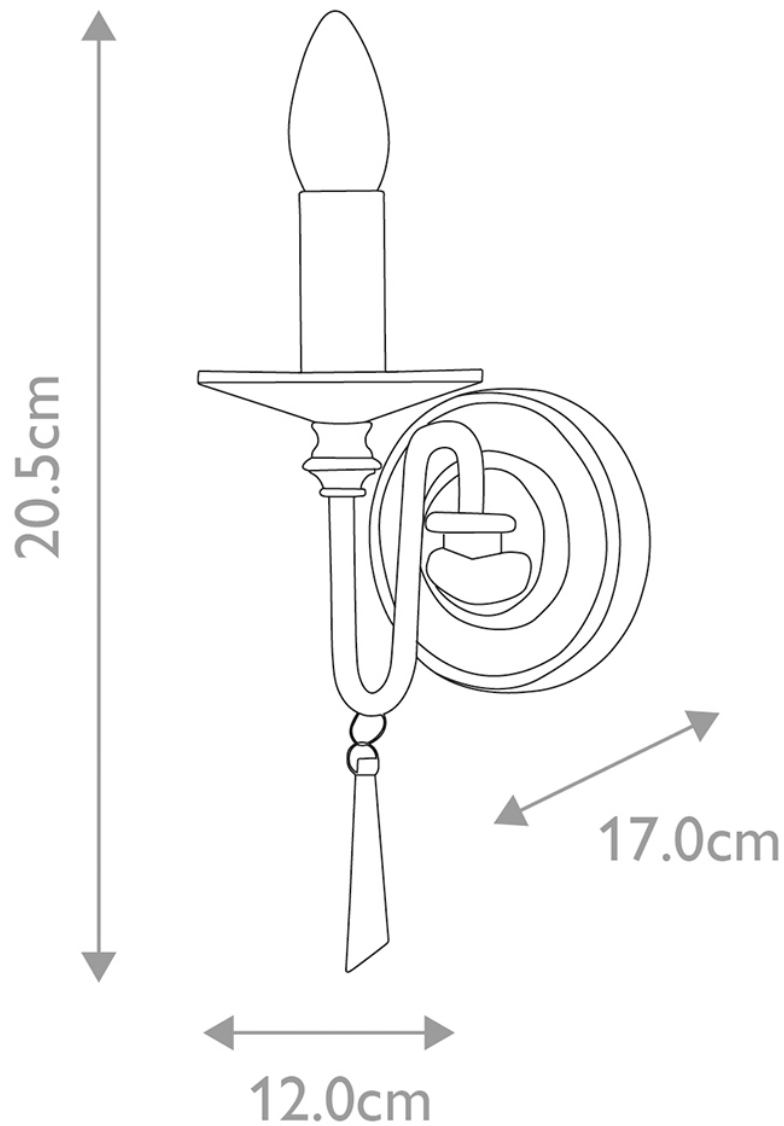


**Elstead - Finsbury Park FP1-POL-NICKEL Wall Light**



**CONTACT**