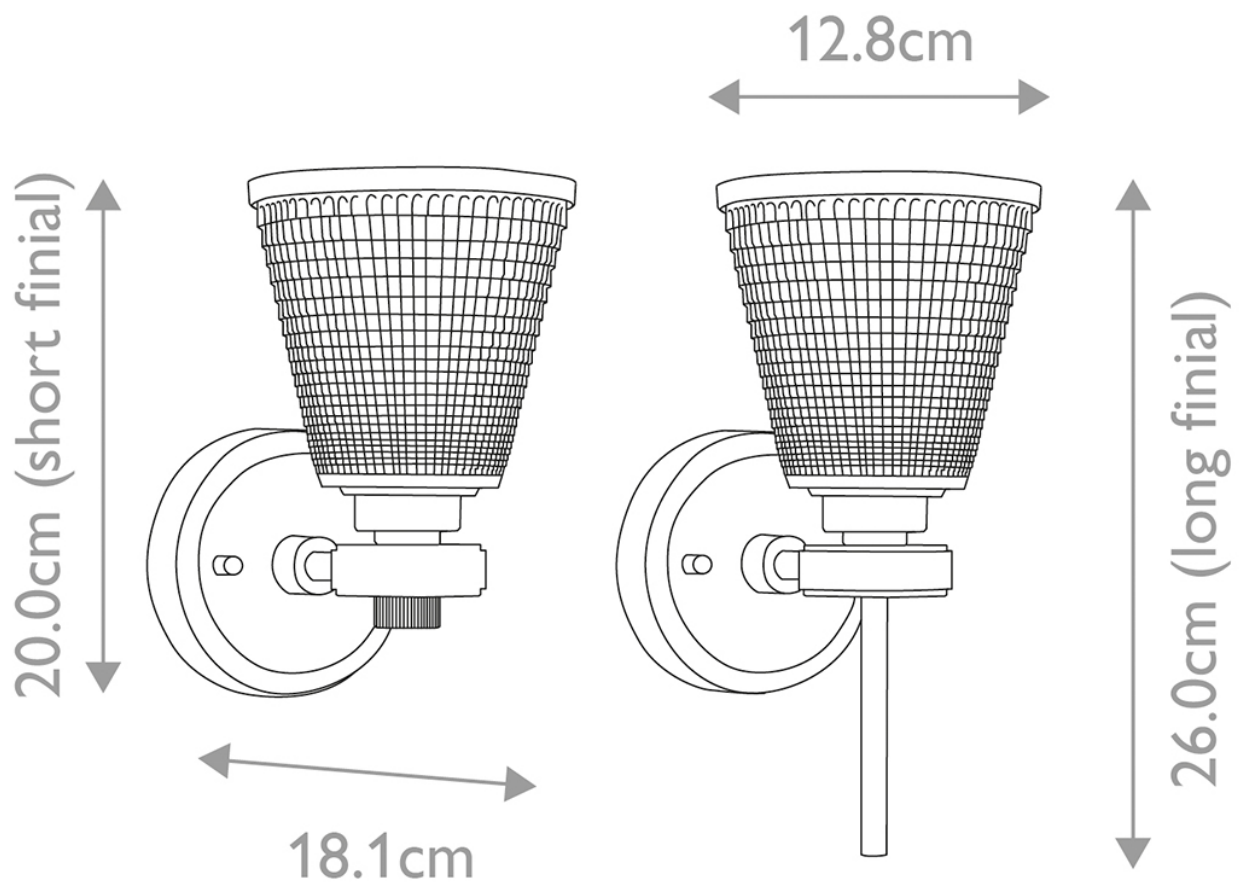


Elstead - Gunnislake BATH-GUNNIS1-PC Wall Light



CONTACT