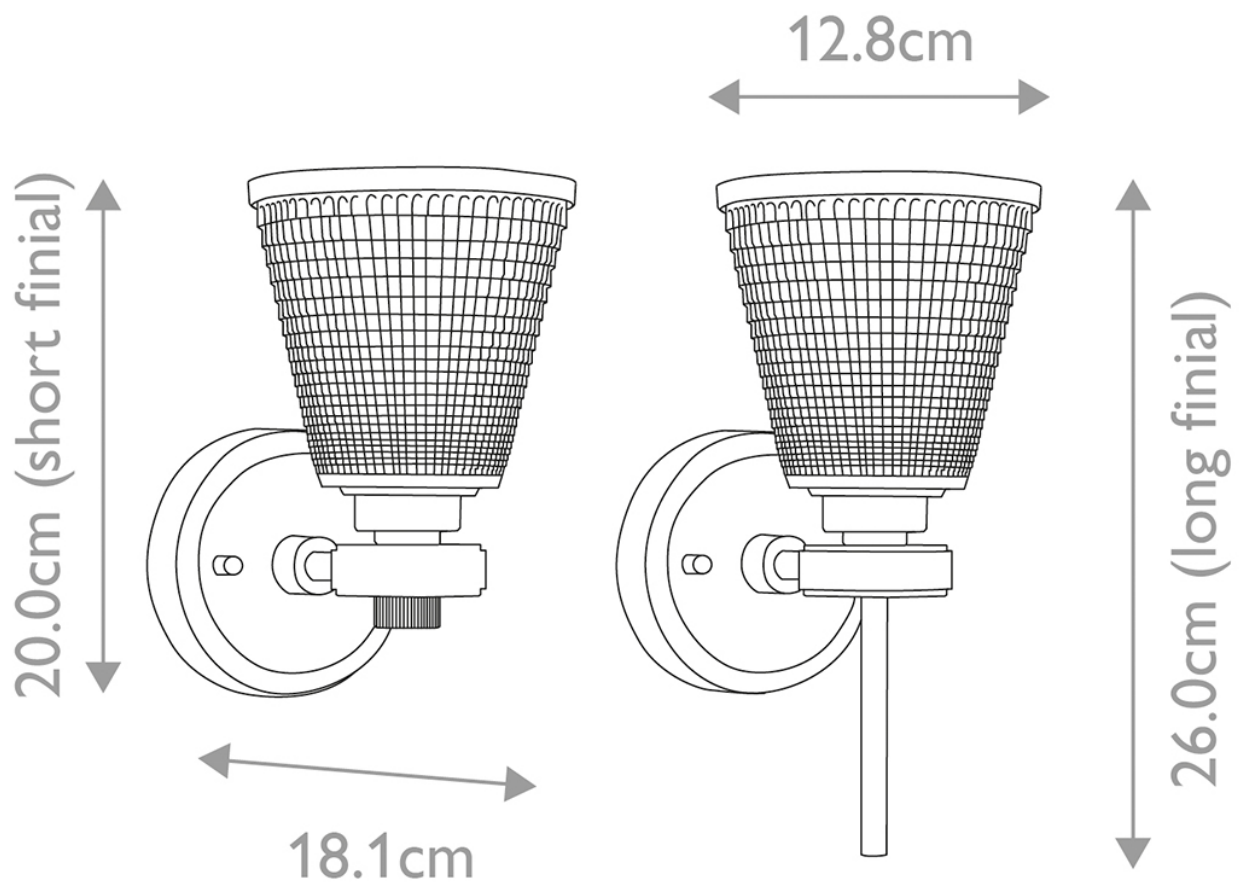


Elstead - Gunnislake BATH-GUNNIS1-WAB Wall Light



**CONTACT**