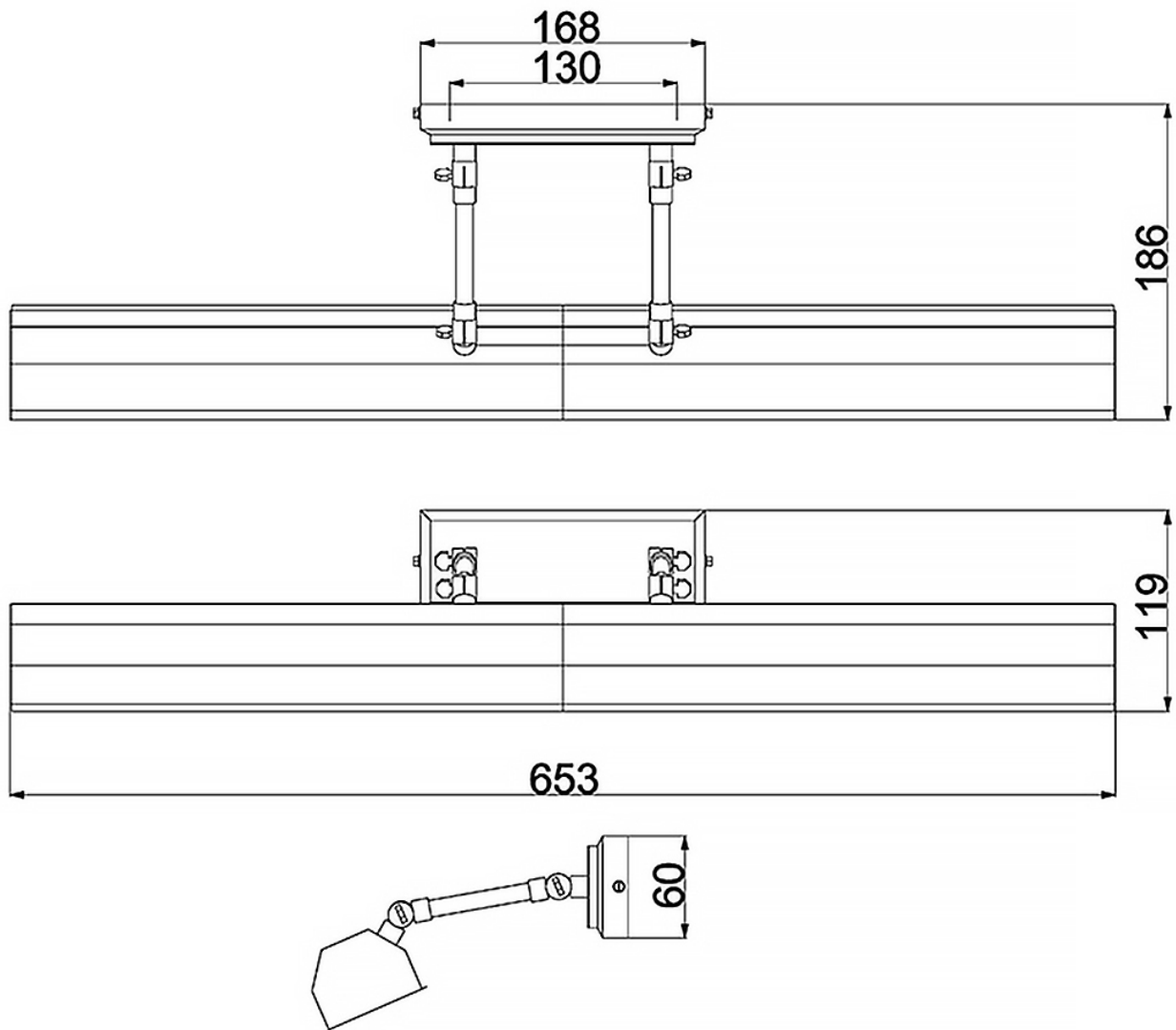


Elstead - Chawton CHAWTON-PLL-AB Picture Light



CONTACT