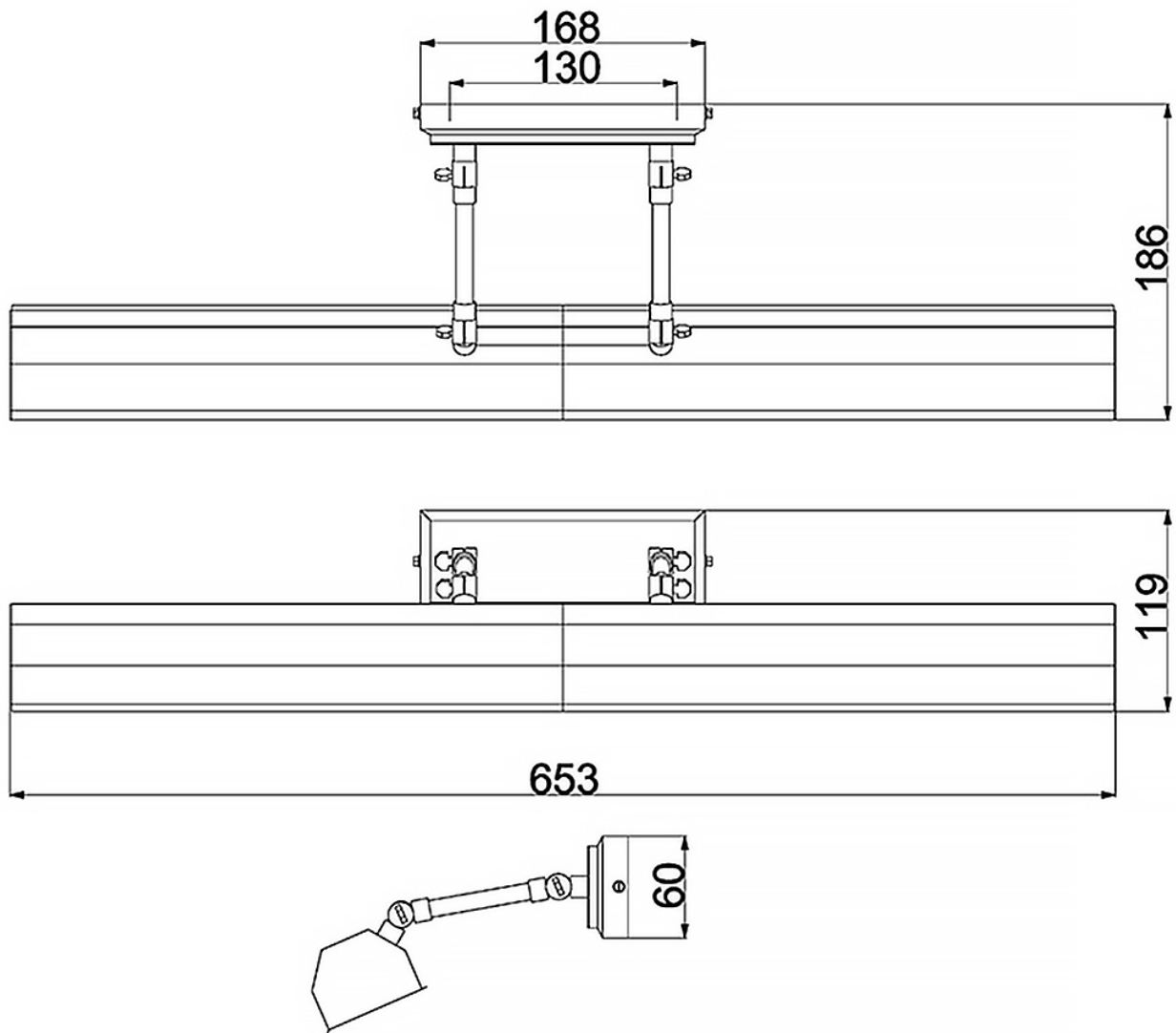


Elstead - Chawton CHAWTON-PLL-BLK Picture Light



CONTACT