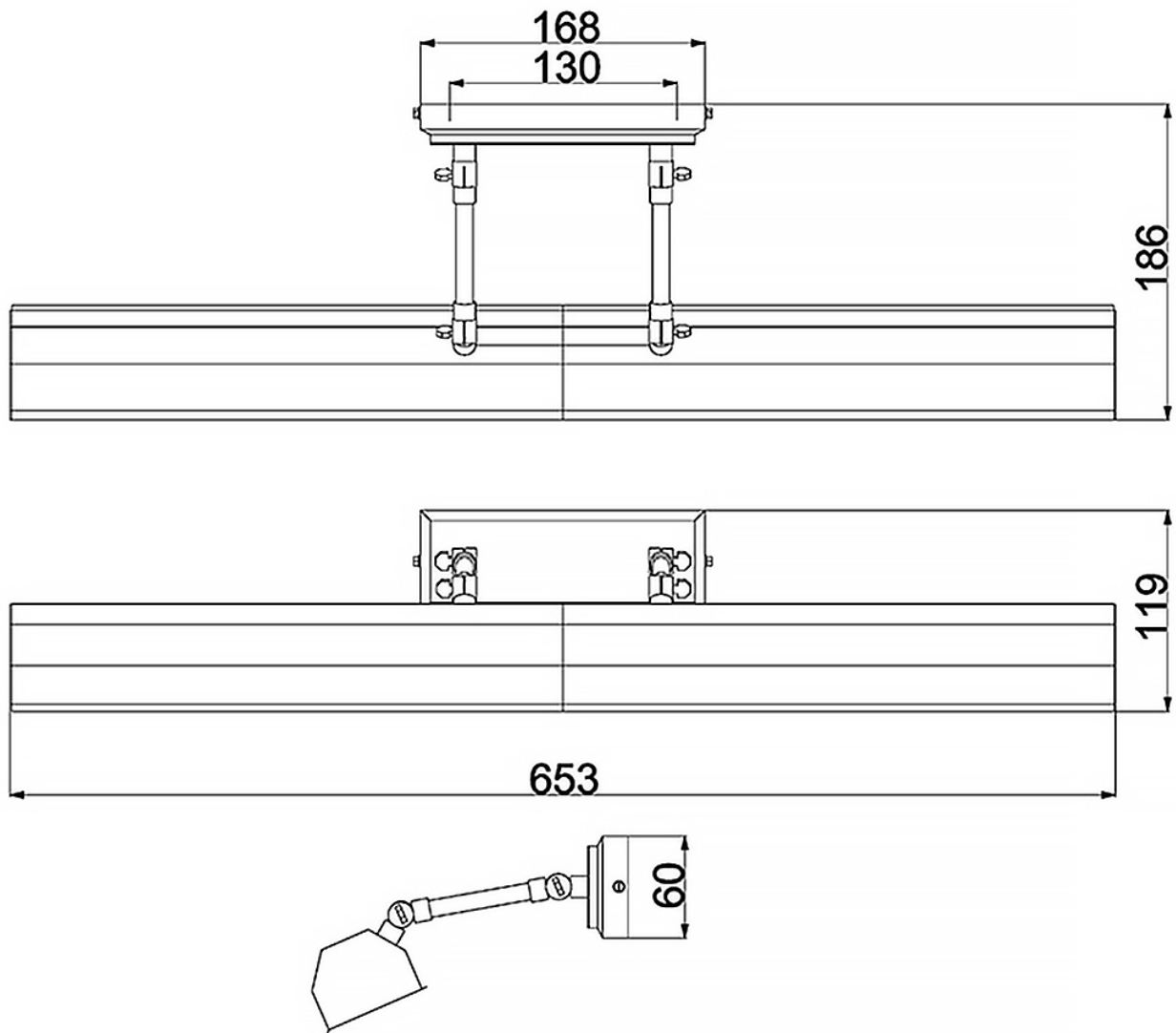


Elstead - Chawton CHAWTON-PLL-DB Picture Light



CONTACT