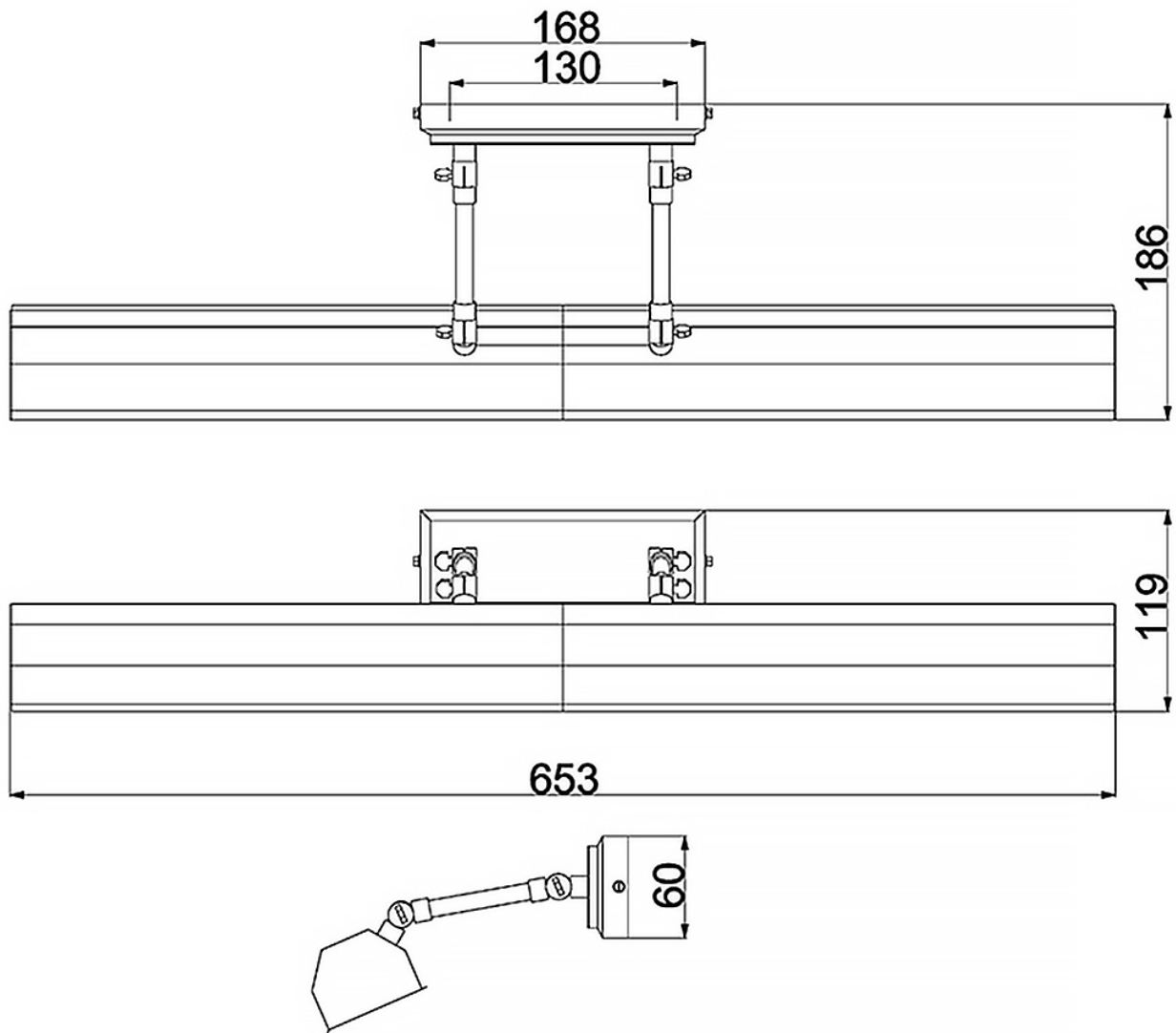


Elstead - Chawton CHAWTON-PLL-PB Picture Light



CONTACT