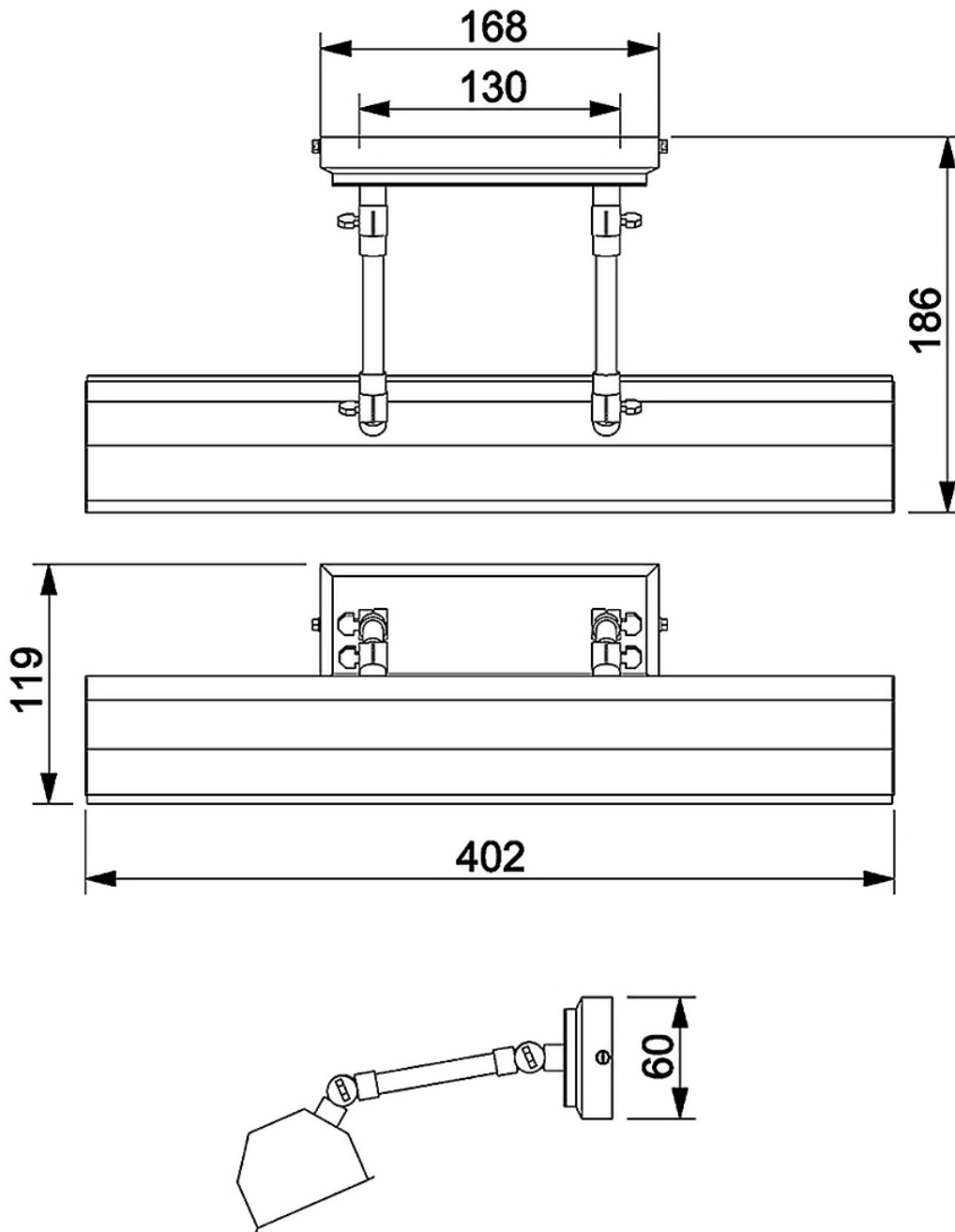


Elstead - Chawton CHAWTON-PLM-BLK Picture Light



**CONTACT**