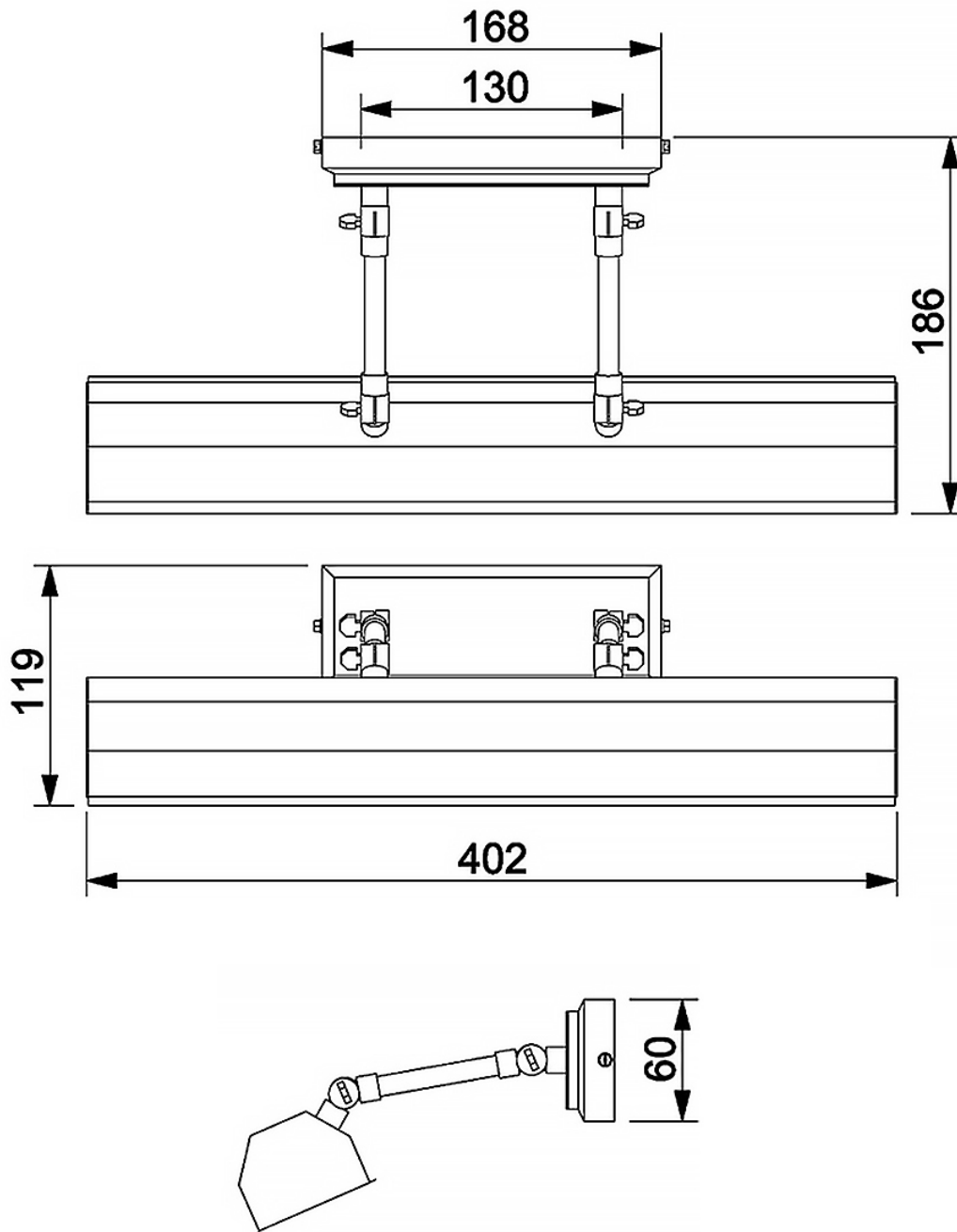


Elstead - Chawton CHAWTON-PLM-DB Picture Light



CONTACT