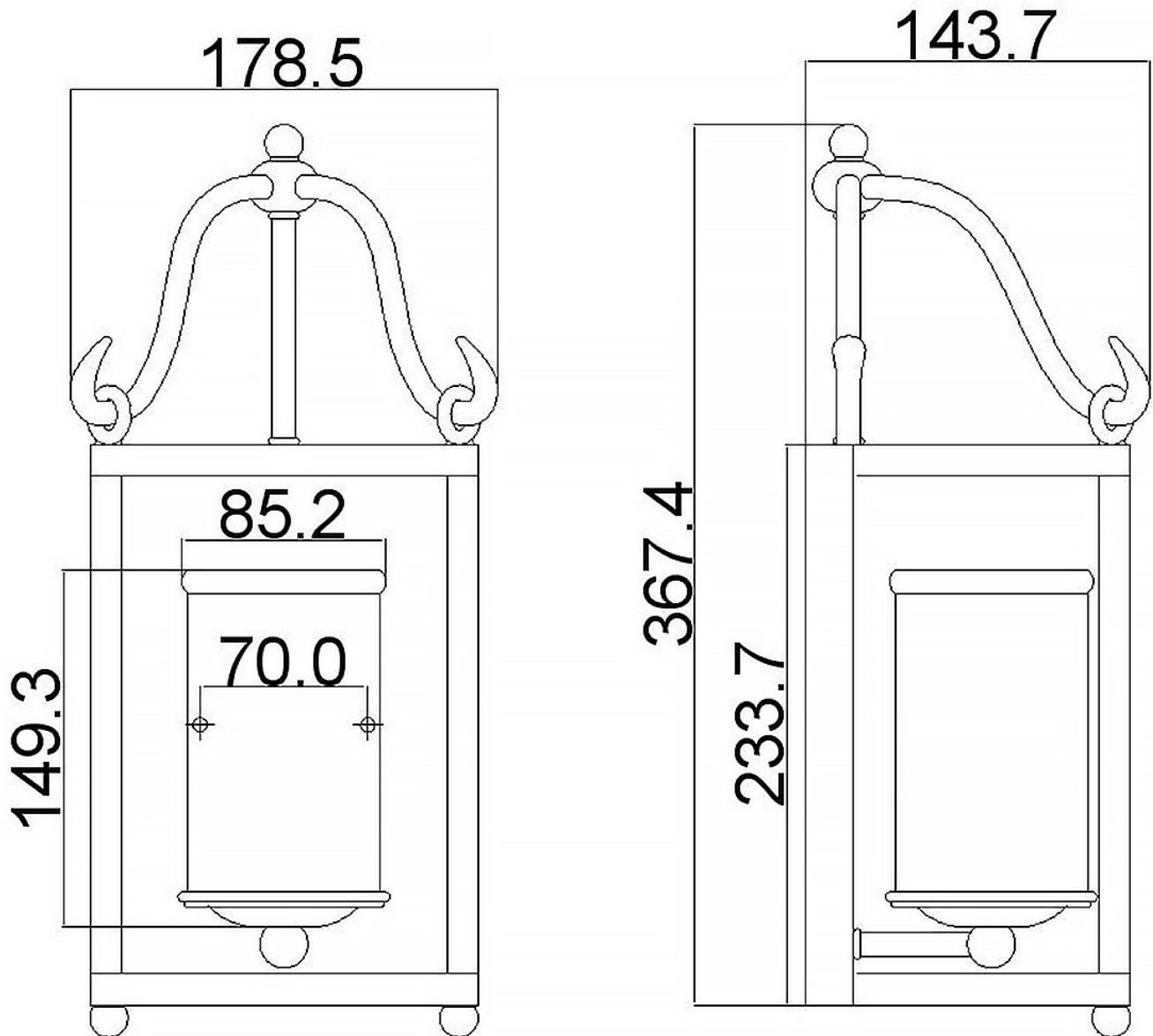


Elstead - Feiss - Declaration FE-DECLARATION1 Wall Light



CONTACT