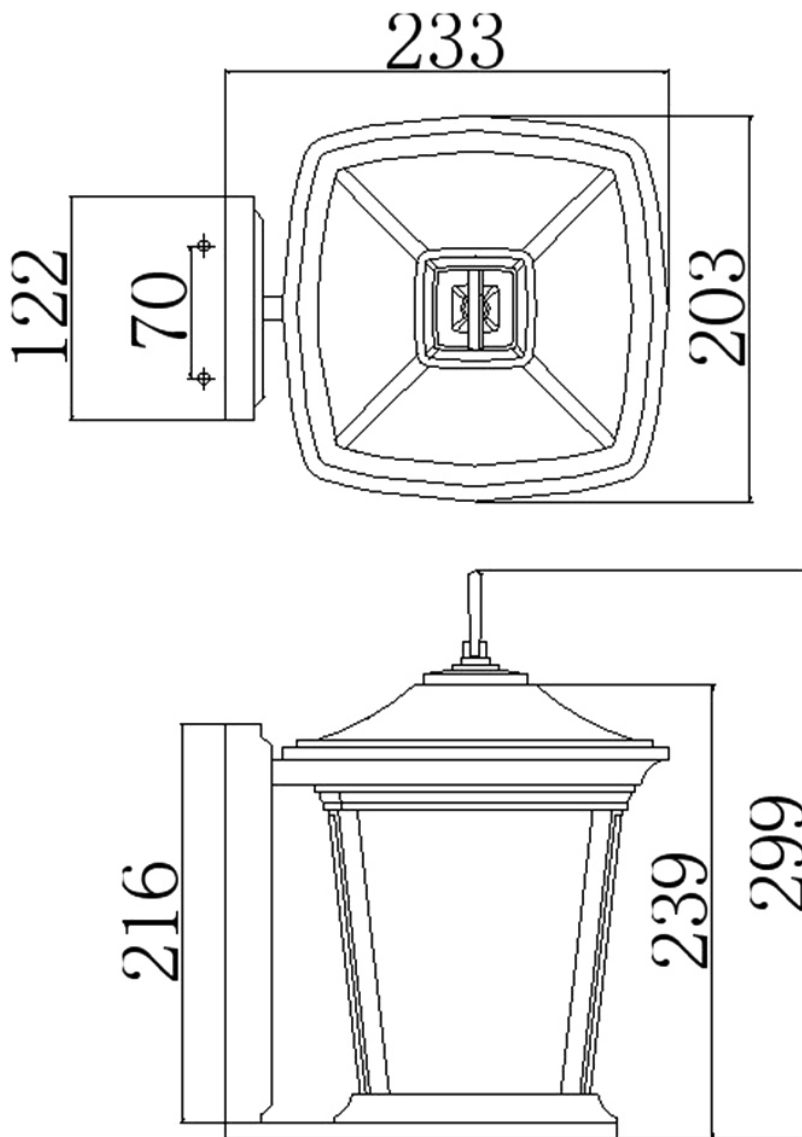


Elstead - Hinkley Lighting - Bromley HK-BROMLEY2-S Wall Light



CONTACT