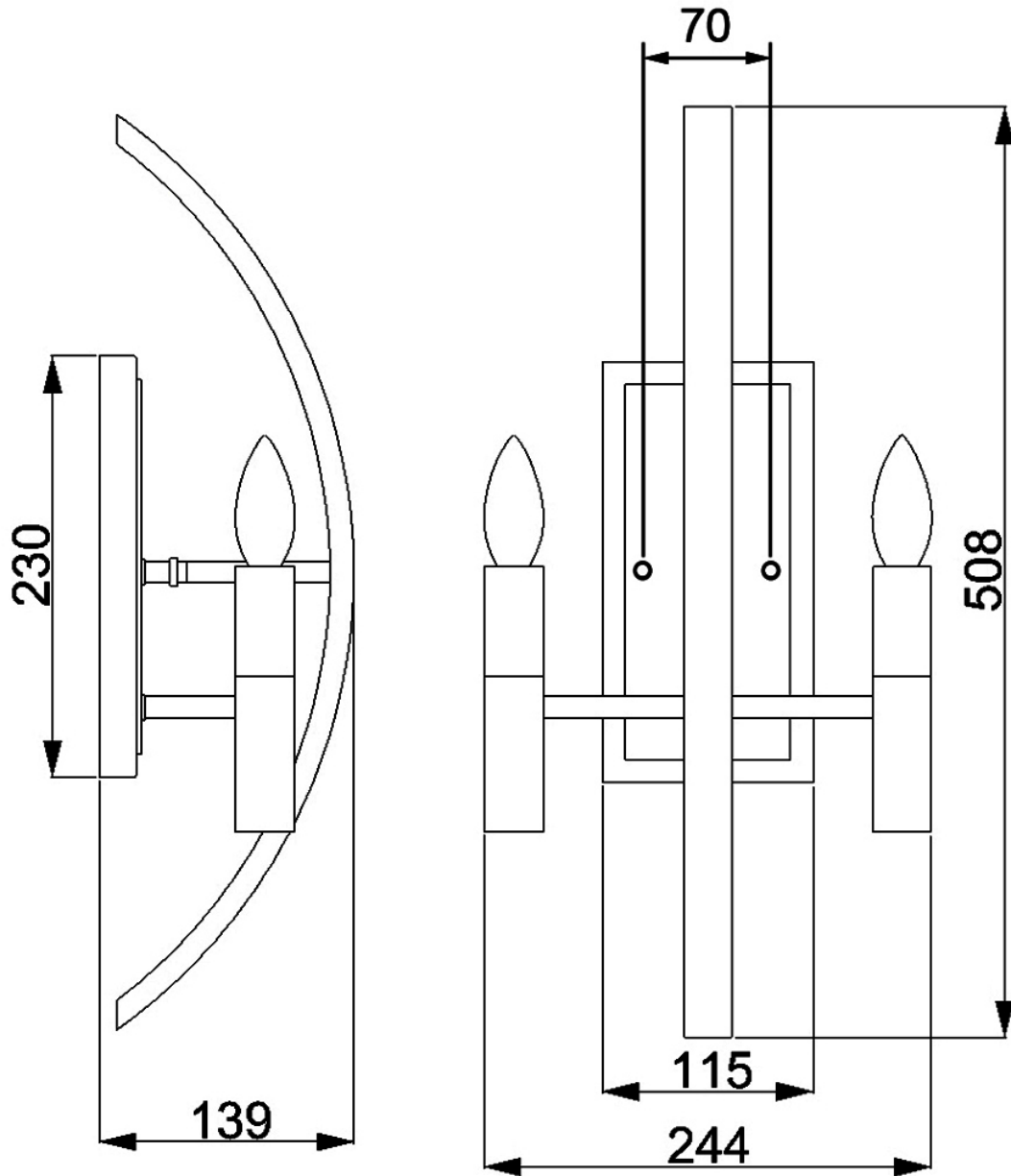


Elstead - Hinkley Lighting - Euclid HK-EUCLID2 Wall Light



CONTACT