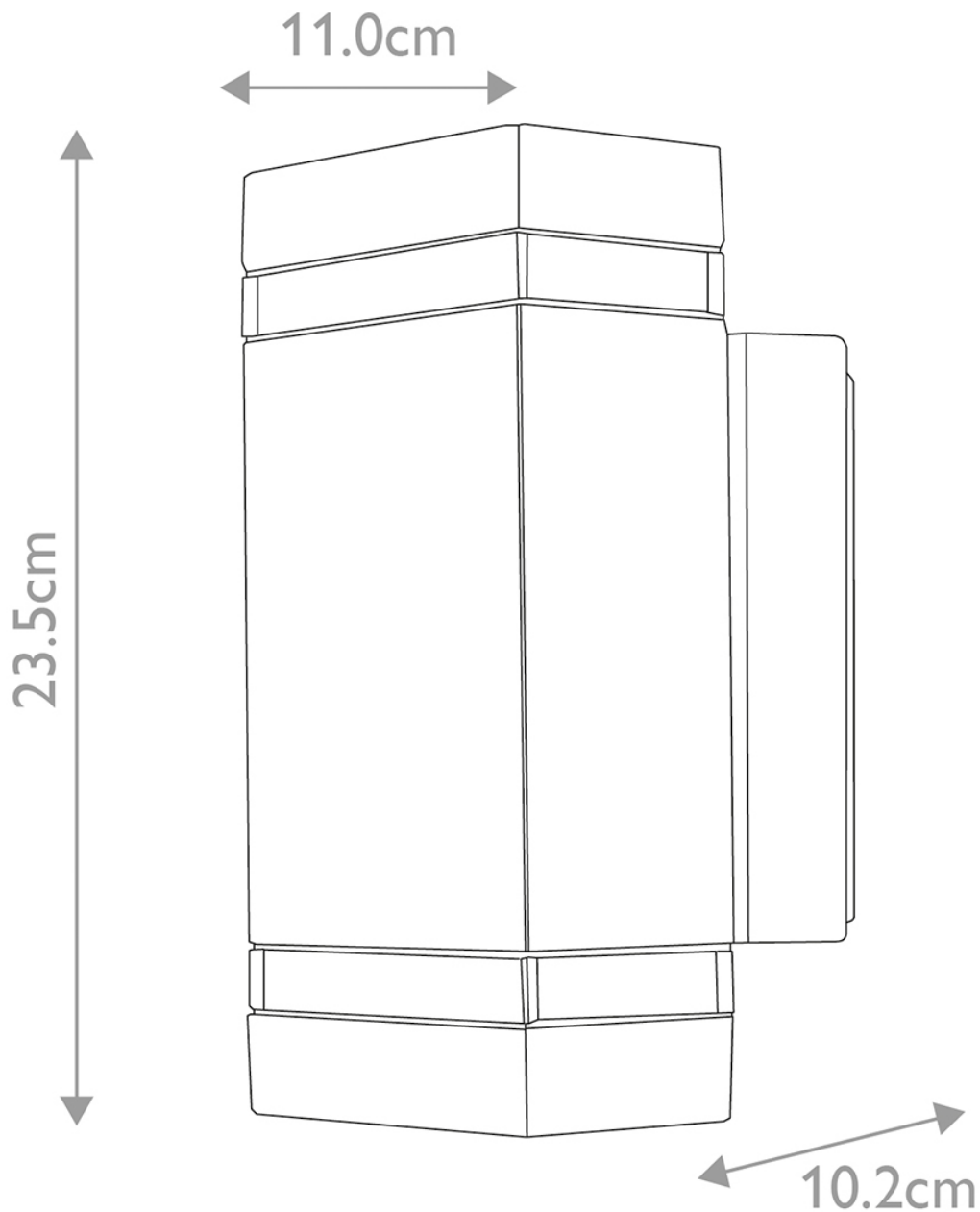


**Elstead - Jannik JANNIK-LED2 Wall Light**



**CONTACT**